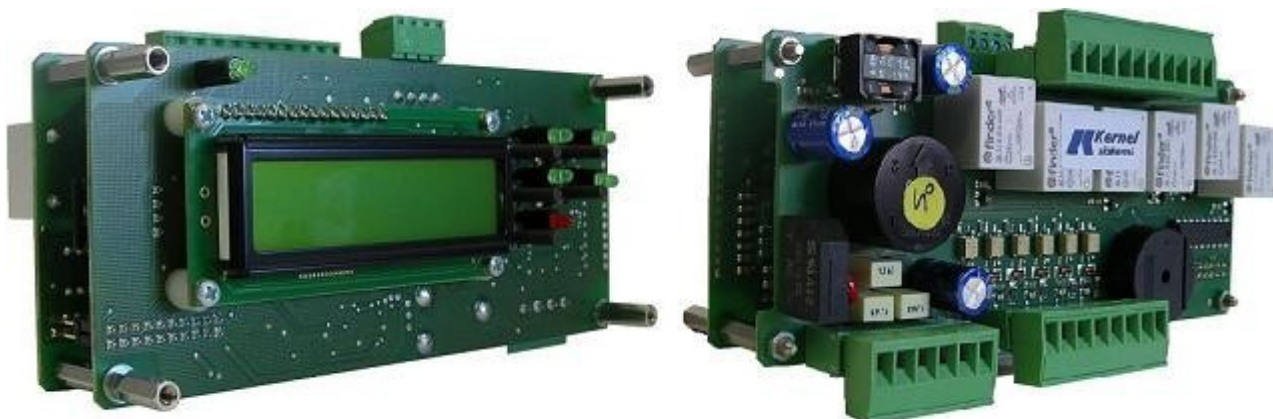




KS 433



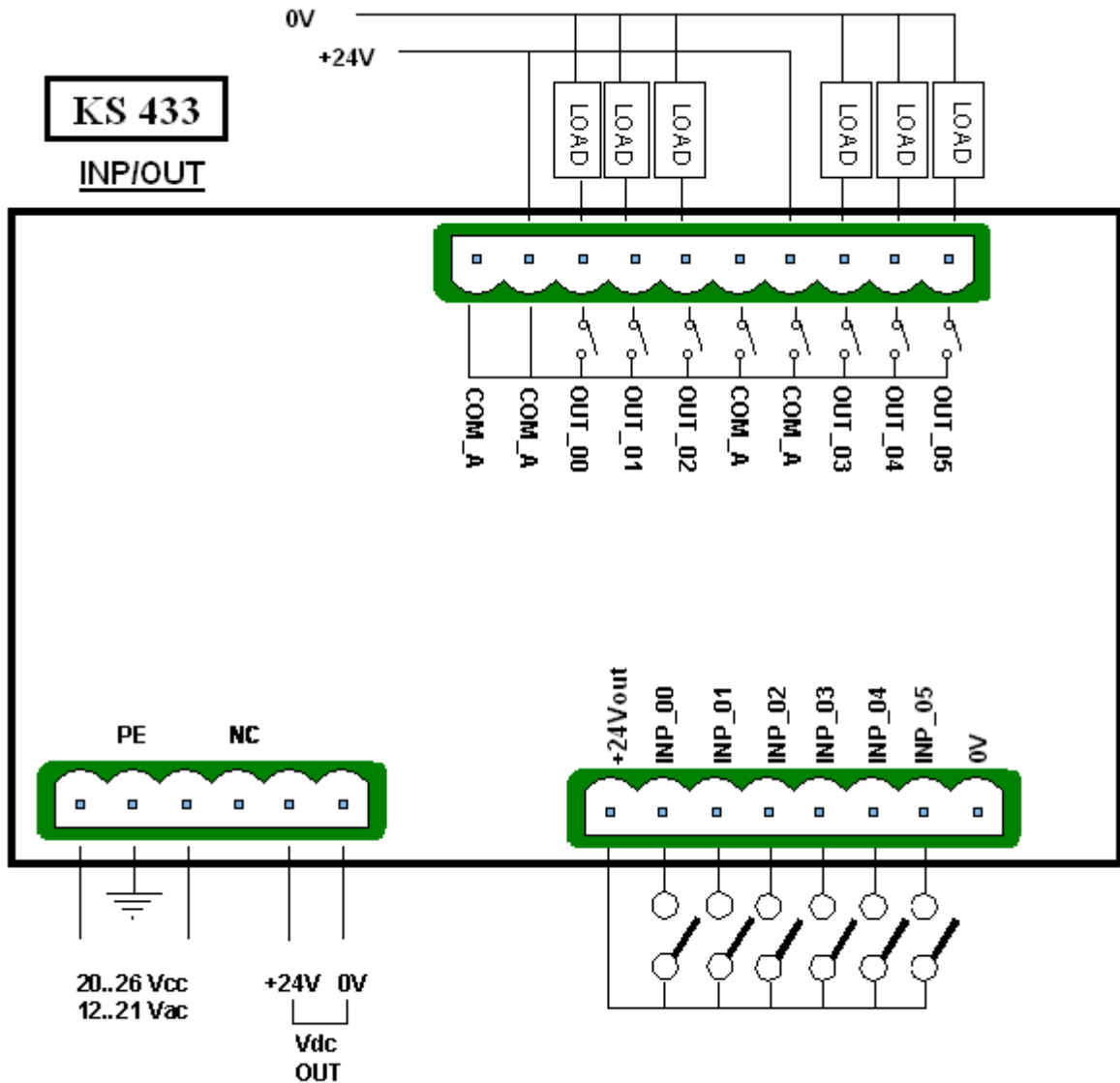
Operator panel with integrated PLC

- Alphanumeric LCD 16 x 2
- Customizable keyboard
- Contact programming with Ladder language
- Function for Recipe management, P.I.D. Regulator, Print etc ...

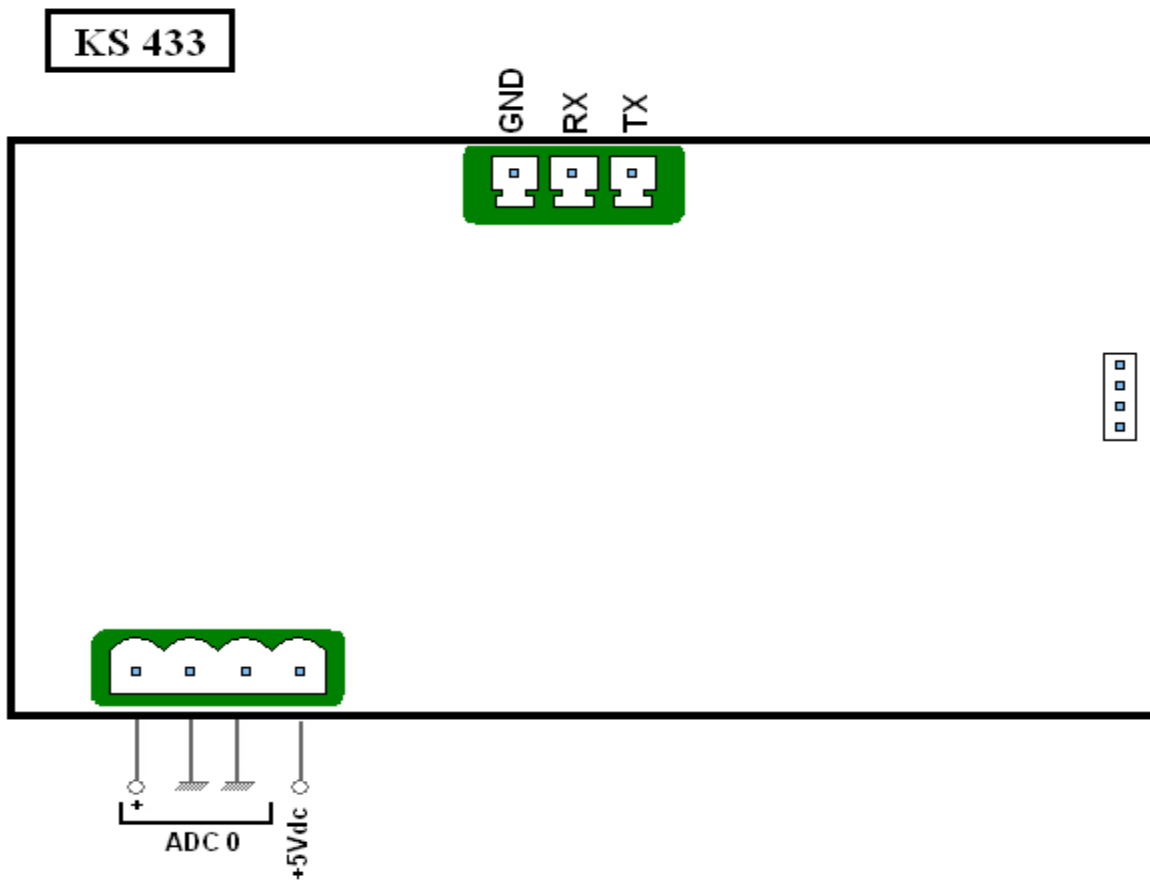
ELECTRIC CHARACTERISTICS

ELECTRIC CHARACTERISTICS	
Power supply voltage	Min 20Vcc ; Max 26 Vcc Min 15 Vac ; Max 21 Vac
Current Consumption	Under 500mA without loads
Microprocessor	Hitachi H8/36109 @ 16MHz
Program Memory	32 KB
Pages Memory	32 KB
E ² PROM	1 Kword
Cycle Time	Programmable (min 1 msec.)
Digital Inputs	6 digital inputs PNP 24 Volts of which 4 fast input (2KHz for encoder reading) with programmable anti-noise filter (value 1..16)

Connection I/O



Connection I/O



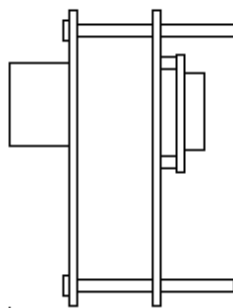
Analog Inputs	One analogic inputs with 10 bit resolution [0...1023] For PT100, termocouple, voltage or current
Digital Outputs	6 relay outputs 250V, 5.0A
Analog Outputs	no
Plugged RAM	79 words any 100 msec automatically copy into plugged RAM (for a term of 1 year)
RTC	Extern real time clock with plugged calendar and clock with rechargeable battery . (for a term of 1 year)
Communication Ports	1 serial line (COM 0) . COM 0 : It's a RS232 com port and it have many different standard communication protocols for connect other devices (I/O expansions , termoregulators , inverters or network connection), besides for upload applications or operative system .



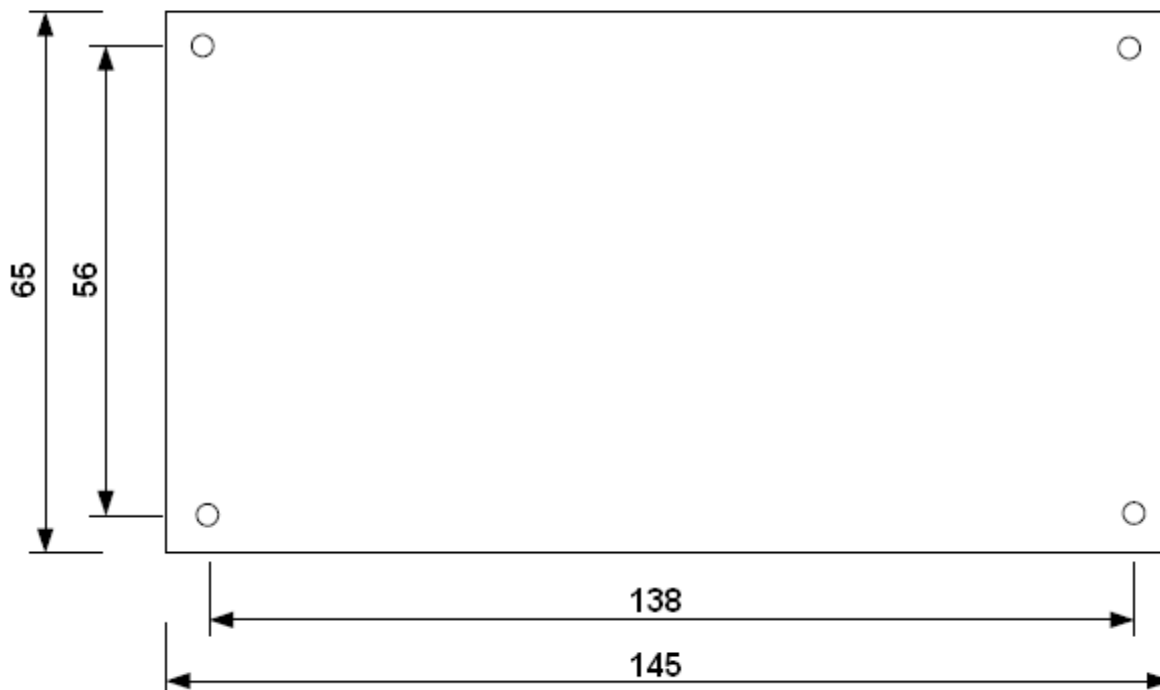
MECHANICS CHARACTERISTICS

Temperature Range	from -10 °C to +70 °C
Humidity Range	from 10 to 90% (non-condensing)
Operating Atmosphere	Without corrosive gas
Noise Immunity	According to rules in force
Weight	254 g
Keyboard	Front keyboard with 4 buttons
Display	Alphanumeric display 16 characters on 2 rows backlight LED
Size	Frontale 145x65 mm, Profondità 58 mm

SIDE VIEW



FRONT VIEW





SOFTWARE CHARACTERISTICS	
Programming Languages	AWL / Ladder
Timers	64 timers with 16 bits and resolution 1/100 sec . 32 configurable timers one by one like excitation delay or disexcitation delay and 32 only excitation timers . 8 timers free running with 1 msec resolution enabled one by one with system flag .
Data Memory	1024
Developed Functions	<ul style="list-style-type: none"> - Week Programming - Recipe Management - Encoders Management - P.I.D. Temperature's Regulator
Memory area check in real time mode on data table (Debug)	●
Ladder's subroutines Import/Export	●
Contact and variable check in real time mode on ladder (Debug Online)	●