



ST0N 3215Nx\SR ST0N 3215Nx\DR



DATA SHEET

rev. 3.6
29 August 2024

Kernel Sistemi
Kernel Sistemi s.r.l. , via Vignolese n. 1138
41126 Modena - ITALY
Tel. 059 469 978 - Fax 059 468 874
www.kernelgroup.it

INDEX

| | |
|---|-----------|
| 1 SAFETY..... | 3 |
| 2 GENERAL NOTES..... | 4 |
| 2.1 Introduction..... | 4 |
| 3 HARDWARE CHARACTERISTICS..... | 6 |
| 3.1 Hardware Characteristics..... | 6 |
| 3.2 Power Dissipation..... | 7 |
| 3.3 Connector : CN1..... | 8 |
| 3.4 Connector : CN3..... | 8 |
| 3.5 Connector : CN4..... | 8 |
| 3.6 Board Dimensions..... | 9 |
| 3.7 Memory Protection..... | 9 |
| 3.8 Busbar..... | 9 |
| 3.9 Dip-switches..... | 11 |
| 3.10 Fixing system of the naked board (without supporting box)..... | 11 |
| 3.11 Status led..... | 11 |
| 3.12 Informations about wires and connectors..... | 12 |
| 3.13 Connection Types..... | 13 |
| 3.14 Scada - PLC..... | 14 |
| 4 MEMORY MAP..... | 15 |
| 4.1 Memory Map Description..... | 20 |
| 4.2 Reading speed..... | 21 |
| 5 OPTICAL FIBER..... | 22 |
| 5.1 OFC Network features..... | 22 |
| 5.2 Optical Fiber Cable..... | 22 |
| 5.3 Optical Fiber Connector..... | 23 |
| 6 ORDER CODES..... | 23 |
| 7 CONTACTS..... | 24 |


Attention

*The information contained in this document may change without notice.
Therefore, please check our website (www.kernelgroup.it) regularly
and always download the latest version available.*


1 SAFETY

This product is a String Monitoring System (SMU) and its application is the monitoring of photovoltaic systems. From an electrical point of view, by their nature, photovoltaic systems operate in direct current and with very high voltage and current values.





Safety : General Conditions

| | | |
|---|----------------------|--|
|  | <p>DANGER</p> | <ul style="list-style-type: none"> - This product is therefore designed to operate with direct current voltage values up to 1500 VDC. This voltage value is potentially fatal. Voltage values between 24 VDC and 1500 VDC are therefore present on this product. - All transducers connected to the auxiliary input connectors must be isolated at 1500 VDC. These transducers are PT100 and, in the case of the ST2N and ST2 series, also transducers with 0/10 VDC and 0/20 mA output (typically anemometers) |
|---|----------------------|--|

Safety : Installation and replacement precautions

| | | |
|--|----------------------|--|
|  | <p>DANGER</p> | <ul style="list-style-type: none"> - The installation and / or replacement of this product must take place in absolute safety, therefore it is necessary to proceed with the installation and / or replacement of this product which is housed inside the field panel after disconnecting the power and dangerous voltages from solar panels. - In any case, any intervention involving the handling of the SMU must be carried out by skilled and trained technicians equipped with insulation gloves designed for voltage values up to 1500 VDC and after disconnecting any voltage and current from the solar panels. |
|--|----------------------|--|

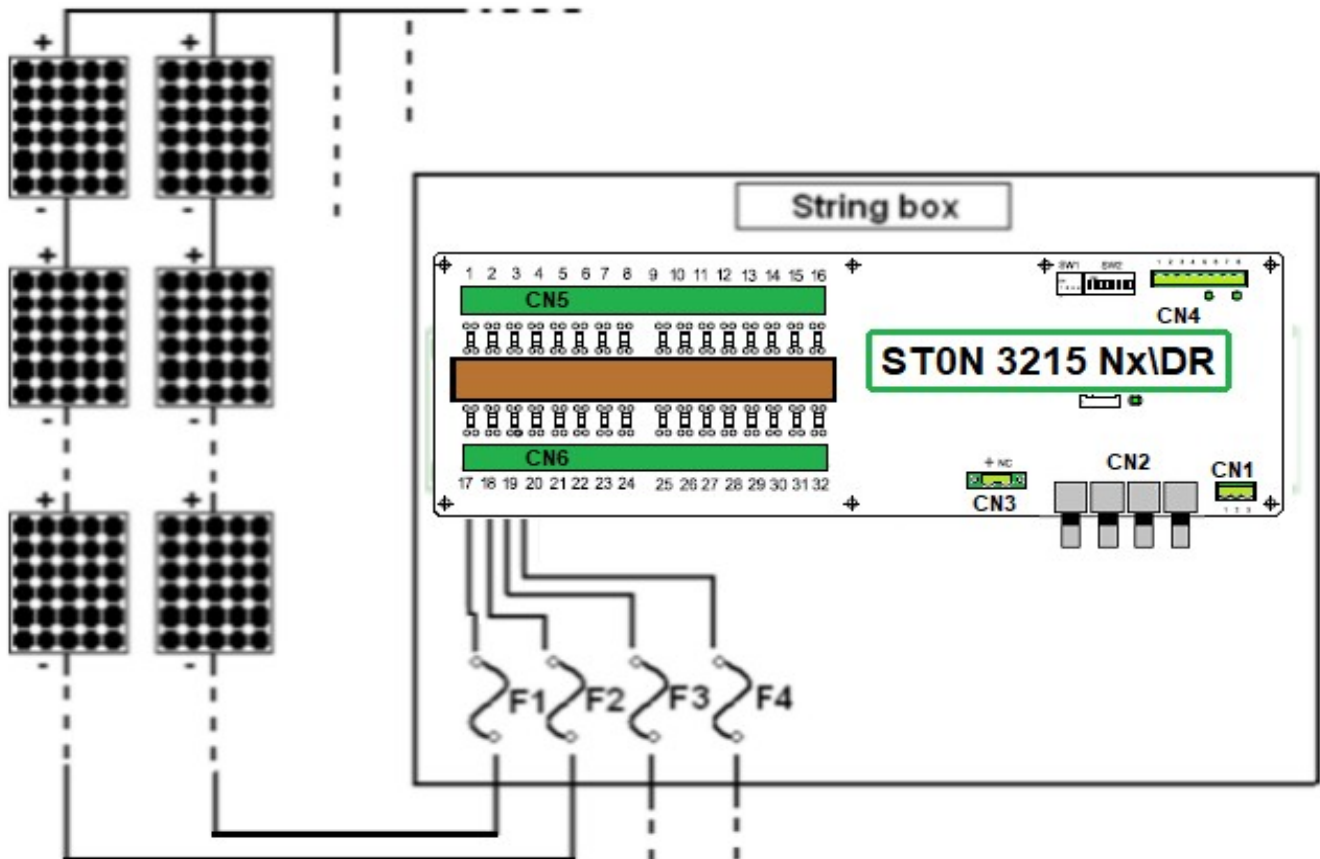
Important Safety Instructions

| | | |
|---|-------------------------|--|
|  | <p>DANGER</p> | <ul style="list-style-type: none"> - Contact with wiring terminals inside the device can cause death by electric shock! - Before to operate inside cards with tester, or with other measurement equipment, it is mandatory TO OPEN fuses and other components that can bring high level voltage inside cards. |
|  | <p>WARNING</p> | <ul style="list-style-type: none"> - Please check all input and output wire terminals in case of high DC voltage and make sure there is no voltage before electrical connection to avoid electric shock! - Do not touch the live parts of the input and output sides to avoid electric shock when checking or maintaining the device. - All installation and wiring connections must be made by qualified technical personnel only. |
|  | <p>CAUTION</p> | <ul style="list-style-type: none"> - All wiring and operation must comply with the requirements of the relevant local standards of the device. - Check the device and make sure there are no problems with the installation before putting it into operation! - Connect the wires to the positive and negative marked positions of the device to avoid the risk of short circuit, ensure personal safety and keep the device in normal operation. |
|  | <p>IMPORTANT</p> | <p style="text-align: center;">Reference to current standards</p> <p>For any other consideration, safety precaution, it is absolutely necessary, before carrying out any installation and / or replacement of the SMU, to refer to the regulations in force regarding the construction of combiner boxes.</p> |

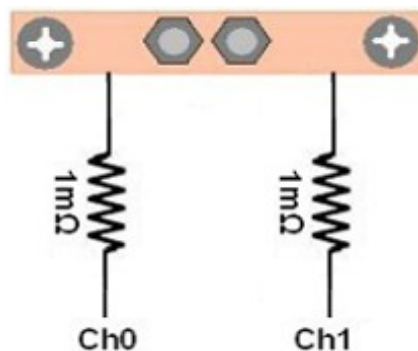
2 GENERAL NOTES

2.1 Introduction

The STON module to string control, allow to monitoring current and voltage generated by photovoltaic panels strings. For example is possible connect each other 32 PV panels at 36 V to each string channel, with positive pole connected each other. The negative pole of each string is brought to the dedicated input, like in the following picture :



After the strings input connector, on the STON board there is a resistor, it is necessary to detect the current follow :

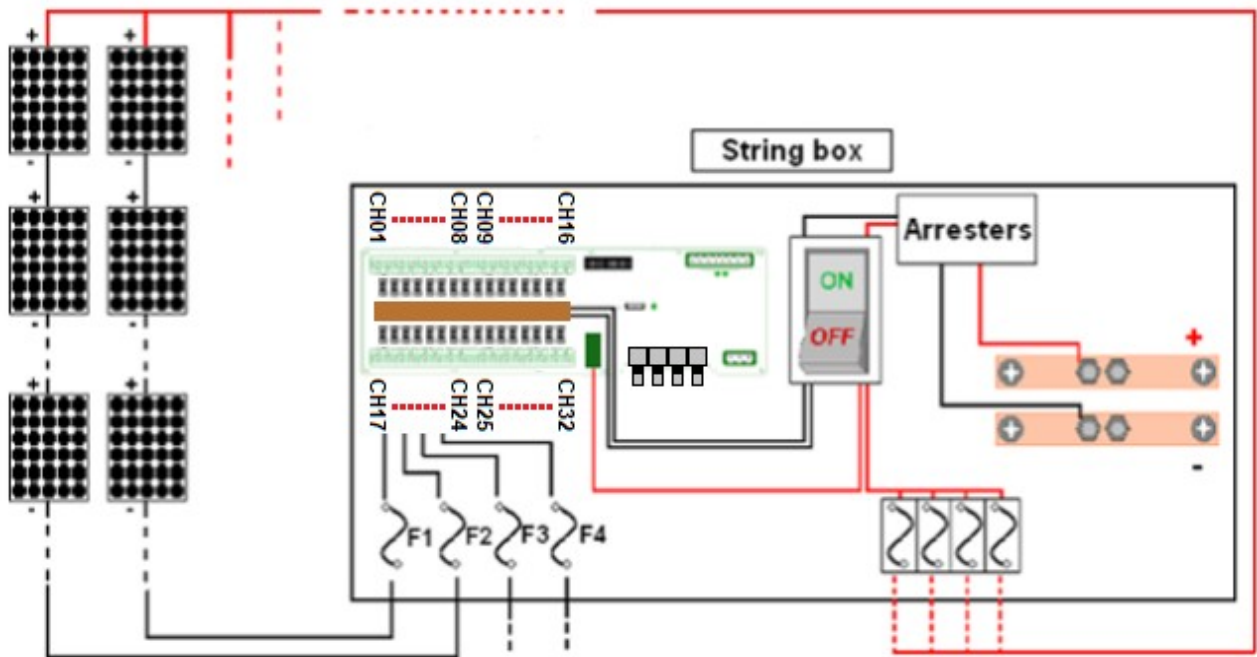


and finally a copper bar connect all the negative poles, thus creating a common 0 V.

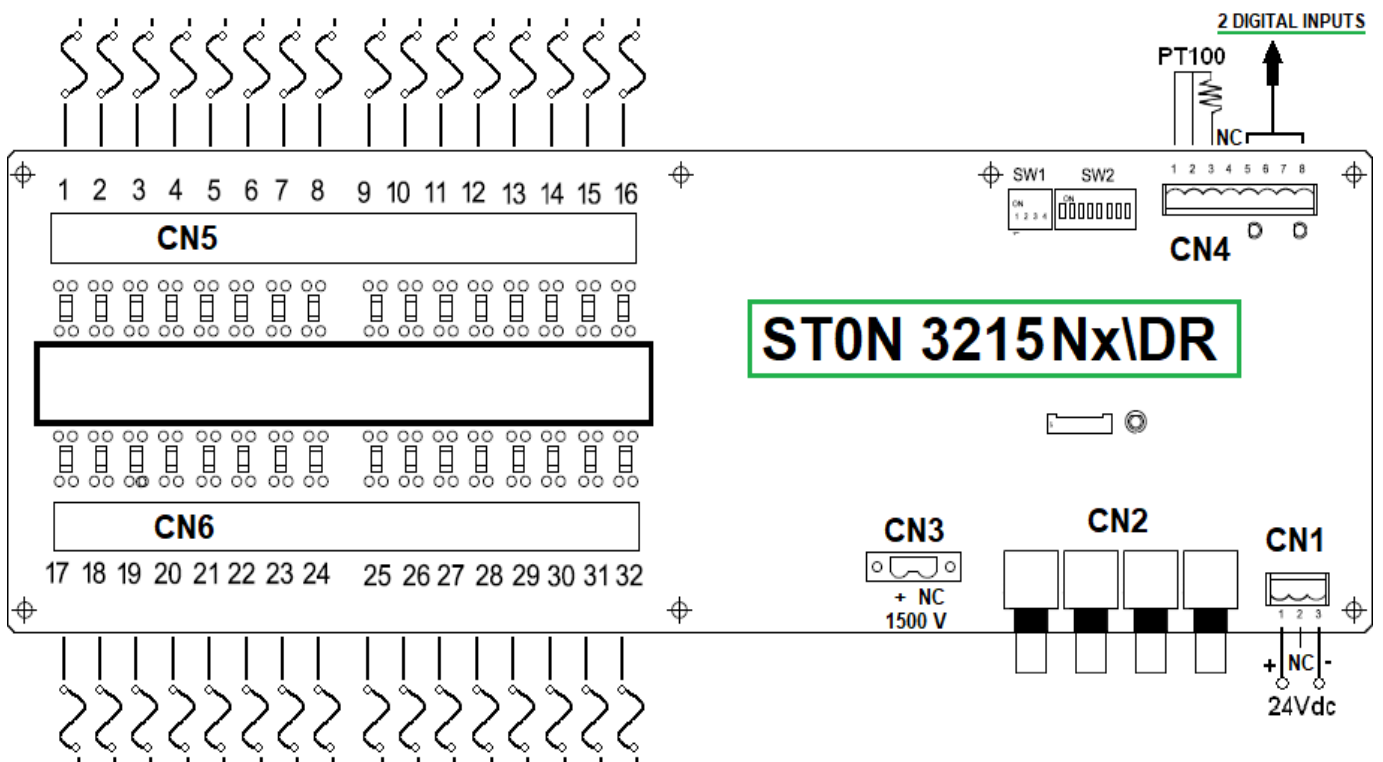
The STON board also provides two digital inputs and an on-board sensor which allow to measure the temperature. The digital inputs allows to detect the arrester state and the power disconnector switch state.

Is possible communicate with the STON board through a Fiber Optic connection. Using **Modbus RTU protocol**, or with **IEC 60870-5-101 protocol**, is possible monitoring all the physical quantities measured (temperature, currents, voltage). Moreover

is possible keep monitored the fuses status on the string box, through the reading of 2 internal registers on memory map (30034 and 30035).



In the following image there are the “STON string controller” with all the wiring. Obviously isn't necessary connect all the specified devices, they are indicated to give a connection general idea.



3 HARDWARE CHARACTERISTICS

3.1 Hardware Characteristics

| ELECTRIC CHARACTERISTICS | | |
|--------------------------------------|---|---|
| Microprocessor | STM32F303 | |
| Power supply | 24 Vdc | |
| Power consumption (W) | < 3 W | |
| Maximum number of monitored strings | 32 | |
| Maximum common voltage | 1500 V with precision better than 0,5 % | |
| Max. current for each string | 15 A | |
| Range of measurement | 0 ... 480 A | |
| Current reading accuracy | Better than 0,15 % | |
| Current reading precision | Typical 0,8 % | |
| Communication | Fiber Optic (Modbus RTU or IEC 60870-5-101) | |
| Digital Inputs | 2 digital inputs 24 Vdc PNP | |
| Analog inputs | 1 input PT100 + 1 on board temperature sensor to know the temperature inside the string box panel | |
| Working temperature's range | From -40 to +85 °C | |
| Working atmosphere | Without corrosive gas | |
| ID Address | Defined by dip-switches | |
| Size (naked) | 338 x 108 mm | |
| Size (with support for din rail bar) | 342 x 108 mm | |
| Working humidity | Lower 95 % without condensation | |
| MTBF | > 500000 hours | |
| Maximum Operating Altitude | 5000 meters | |
| Minimum Current | 1 A (programmable) | from Firmware Version : 1.31 forward |
| Minimum Voltage | 100 V (programmable) | |

| N° | Type of resources | Symbol | Terminal Block |
|----|--|-------------|----------------|
| 1 | Sensor on board to read the temperature (precision better than 1,5 %) | T2 | On board |
| 1 | Fiber Optic connection : is used to connect many "STON string controllers" into a network or to a PC. Is possible select the communication characteristics with some dip-switches on board (node address, baud rate, parity, and communication protocol, that may be Modbus RTU or IEC 60870-5-101). It's divided in 2 connectors (Single Ring) or 4 connectors (Double Ring) | FIBER OPTIC | CN2 |
| 1 | PT100 input (from -20 to +120 °C) to temperature reading, with precision better than 1,5 % | T1 | CN4 |
| 2 | PNP digital inputs 24 Vdc, typically used to arrester connection, switches or other devices | INP0, INP1 | CN4 |
| 32 | This board can manage the current reading of 32 strings until 15 A with typical precision of 0,8 % and a temperature between -40 and +85 °C | Ch01...Ch32 | CN5, CN6 |

3.2 Power Dissipation

First of all we have to distinguish from “power dissipation” to “power consumption” : power dissipation is the total amount of power dissipated by the SMU, that is splitted in two parts : the part needed to supply the electronics and the part dissipated by the shunts used to measure the string currents. Only the part needed by the electronic (the power consumption) is to be supplied by the external 24 V power supply, this part is fixed and is typically less then **3 W** (125 mA) for all models of SMU.

The part dissipated by the shunt is variable and depends by the number of shunts and by the current that flows into them. To calculate the dissipation of each channel you can use the following formula, valid for all the SMU model :

$$\text{Shunt_Power} = \text{current} * \text{current} * 0.001 \text{ (where 0.001 is the ohmic resistance of the shunt)}$$

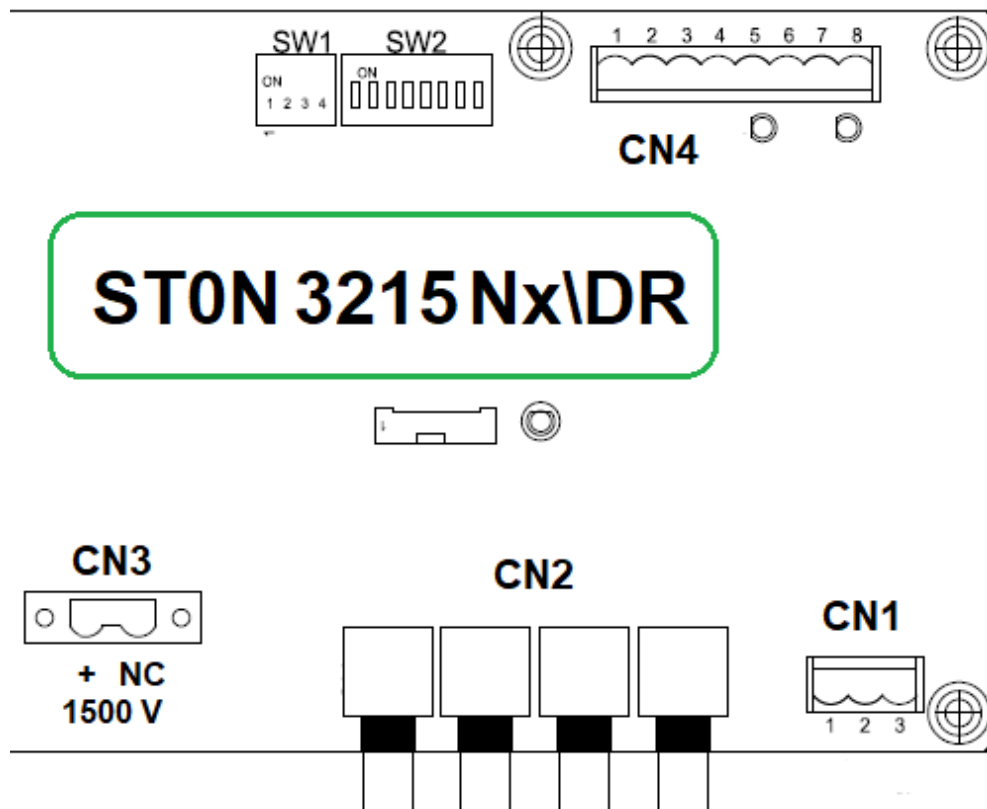
than you have to multiply for the number of channels (shunts)

- Example ST0N3215 : if you consider a current of 15 A you have :
 $15 * 15 * 0.001 * 32 = 7.2 \text{ W}$
- Example ST0N3215 : if you consider a current of 7.5 A you have :
 $7.5 * 7.5 * 0.001 * 32 = 1.8 \text{ W}$

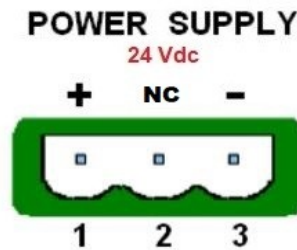
This part of power is not to be supplied by the 24 V external power supply because it is directly generated by the current from PV strings.

IMPORTANT

It is possible to power the board directly from PV panels using an insulated DC/DC power supply for PV usage. Of course keep in mind that before the sunrise and after the sunset the voltage from the PV is zero, so the DC/DC converter does not work and the board is not powered.

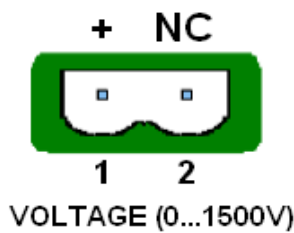


3.3 Connector : CN1



3.4 Connector : CN3

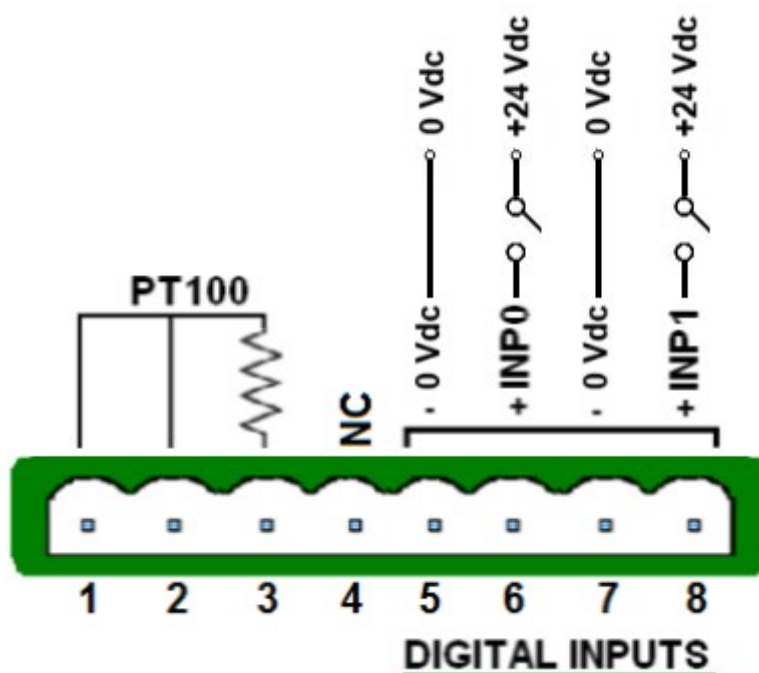
To read the voltages, is necessary connect the negative of the panel's string to one channel and the positive to the positive pin of connector CN3. You'll find the voltage value on 30040.



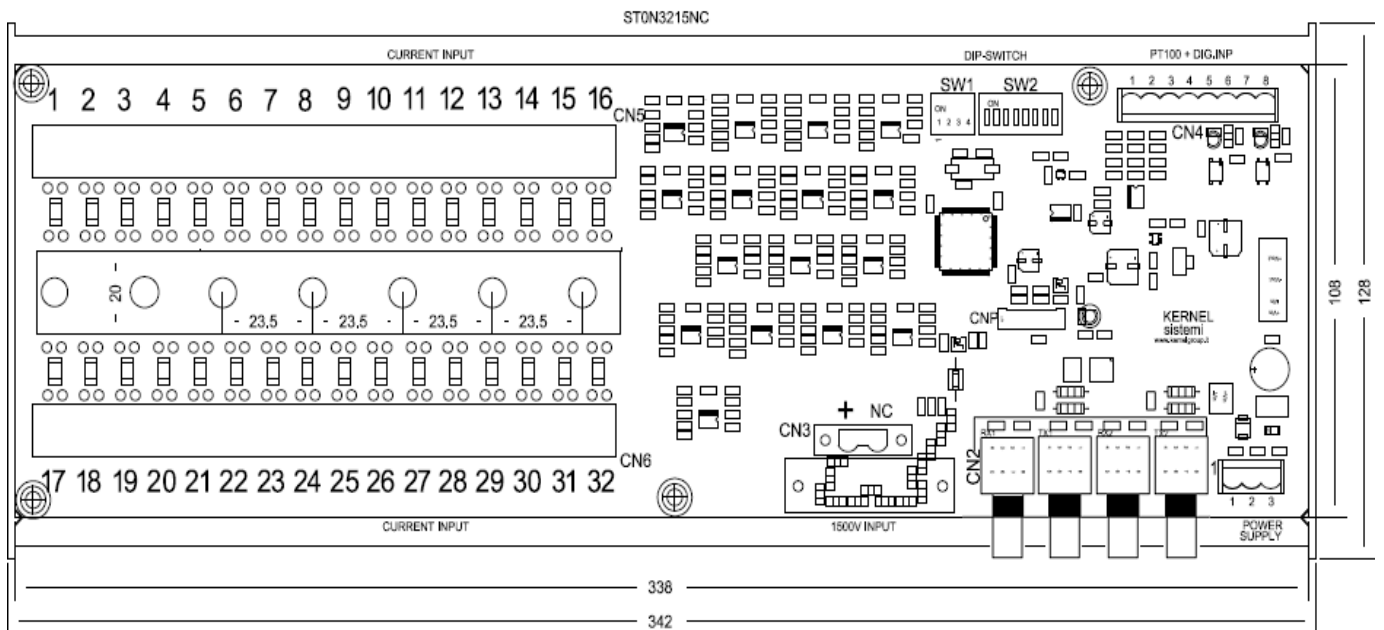
3.5 Connector : CN4

To know when a switch (for example the general one) is ON or OFF, there are two digital inputs PNP 24 Vdc on terminal block CN4. Each digital input status is indicated also by a led status on board. You need to use the pins 5, 6, 7 and 8. Inside the memory map the bits from 0 to 1 of register 30001 are the digital input status.

Is possible connect one PT100 to read the external temperature. The PT100 could be 2 or 3 wires, it will be connected in the following way to terminal block CN4. You can find this temperature on register 30044.



3.6 Board Dimensions



3.7 Memory Protection

Memory is always protected by writing! In order to enable writing for a limited time (10 minutes), you have to write :

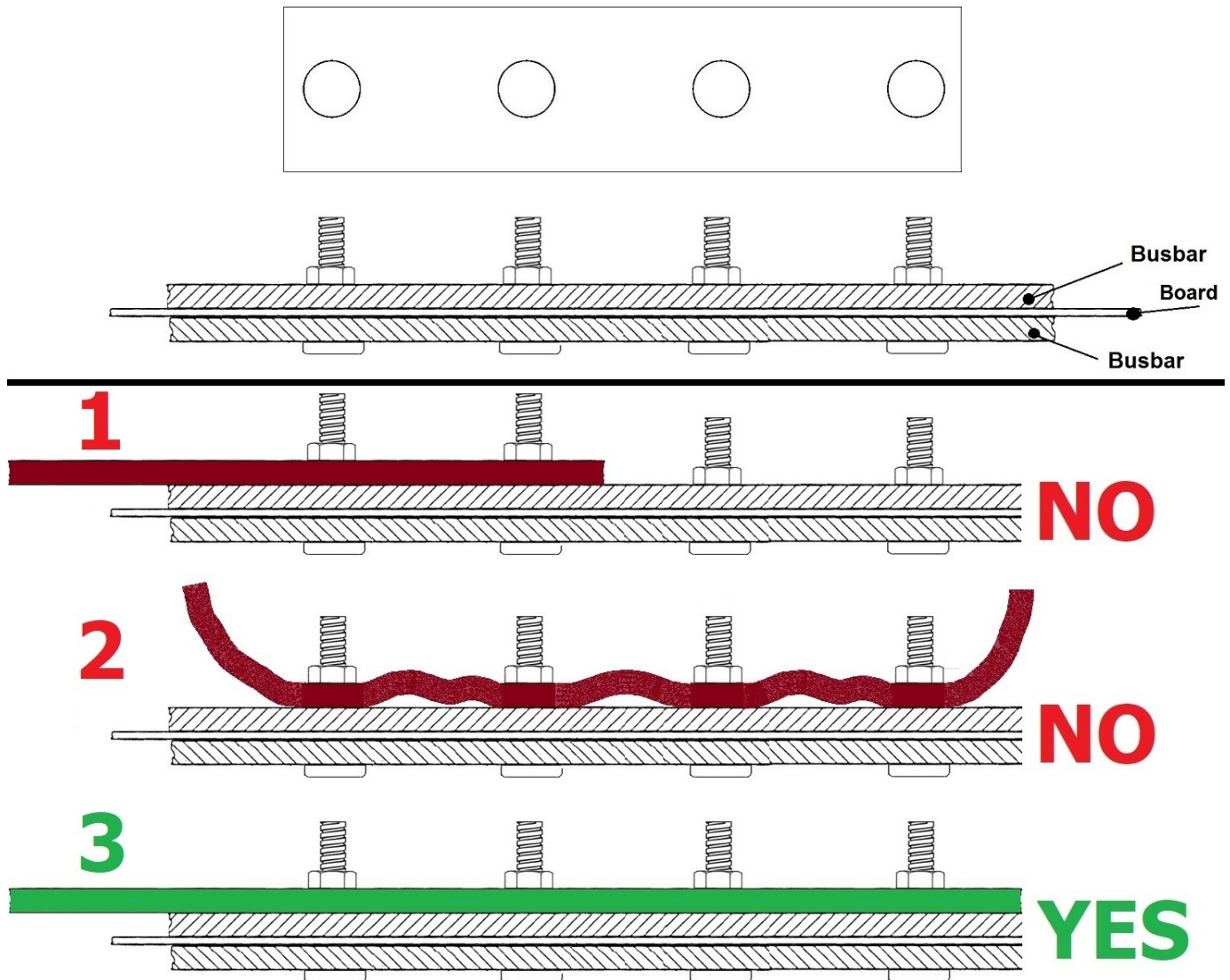
Value : 0x5555 Hex
Modbus Register : 40100

3.8 Busbar

Busbar dimensions : (n.1 BAR component side + n.1 BAR welding side)



Examples of busbar connection :



If it is necessary to "extend" the busbar, the following fundamental rules must be followed :

1. The added bar must take the whole bar and be connected to all the bolts (with the correct tightening torque).
2. It must not have curves or irregularities.
3. It must be absolutely flat so as to be perfectly in contact on the whole surface of the bar.

This connection busbar **MUST** be perfectly planar.

It is therefore necessary to check that these busbars are perfectly planar **BEFORE** fixing them to the busbar of the board.

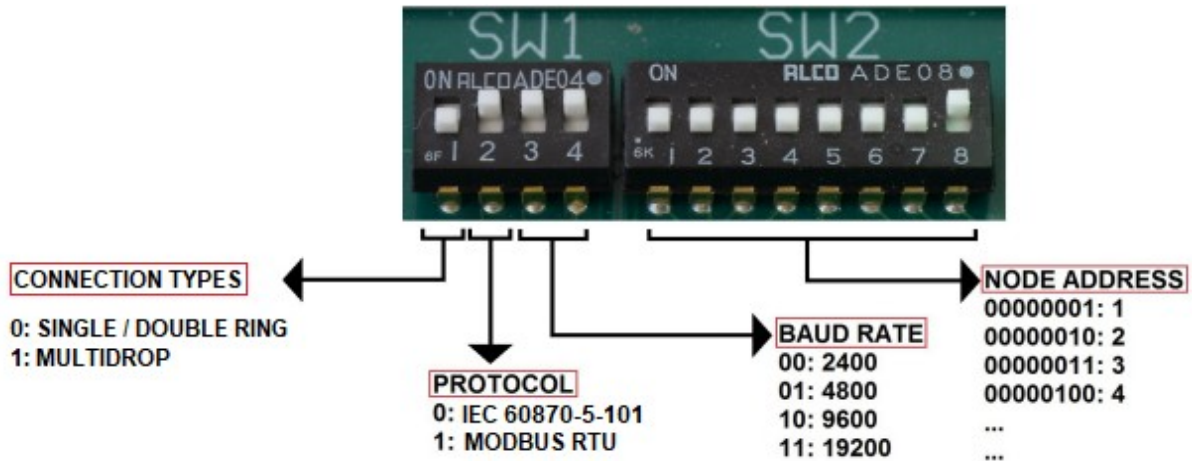
It is necessary **FIRST** to fix the "busbar connection to the Switch Disconnector" to the **BOARD**, then perform the fastening of this busbar to the Switch Disconnector. In doing so, the perfect contact between the "busbar connection to the S.D." and the busbar on the board is guaranteed.

ATTENTION

The dimensions of the bar must be calculated according to the value of the **MAXIMUM CURRENT**
(follow the appropriate regulatory tables)

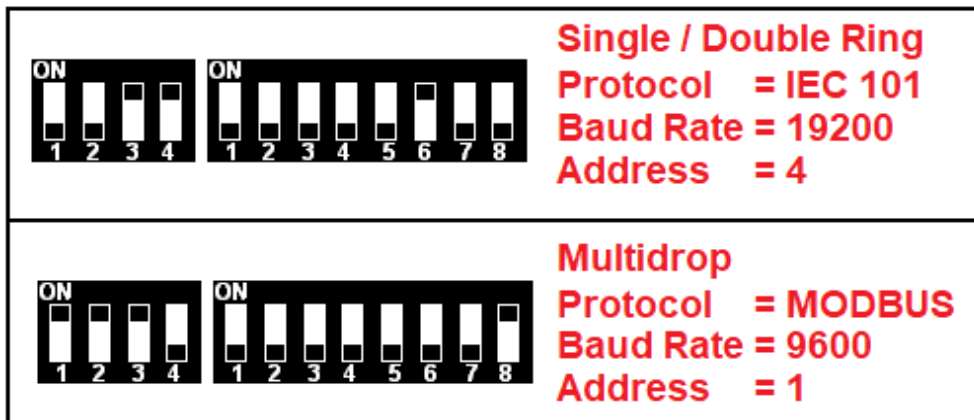
As an alternative to the bar, it is possible to connect more **CABLES** to the busbar on the board : also in this case the cables must be appropriately sized according to the value of the **MAXIMUM CURRENT**
(follow the appropriate regulatory tables).

3.9 Dip-switches



Note : Parity = NO_PARITY ; Bit = 8 ; Stop = 1

Some dip-switches examples :



3.10 Fixing system of the naked board (without supporting box)

To fix the naked board (without case) is necessary use plastic spacers with dual clutch. The plastic spacers must be 4x20 mm or 4x25 mm (4 mm is the hole diameter on the board). Look the below picture.



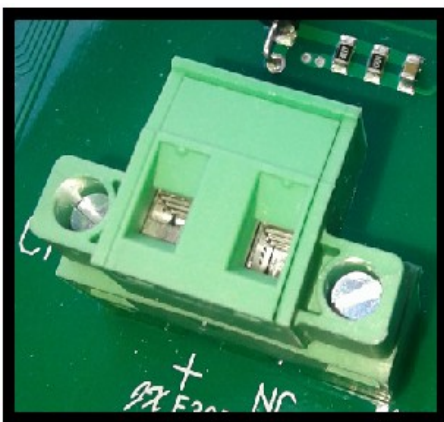
3.11 Status led

On the board there is a status led which with its blinking show the board status. There are two possible different blinking ways : blinking each 0,5 sec, or blinking faster. If the blinking is 0,5 sec ON and 0,5 sec OFF, it means that the board is ready to communicate with an external device, instead if the blinking is faster than 0,5 sec, it means that the board is in test mode with all the dip-switch OFF. In this way the board isn't ready to communicate with an external device.

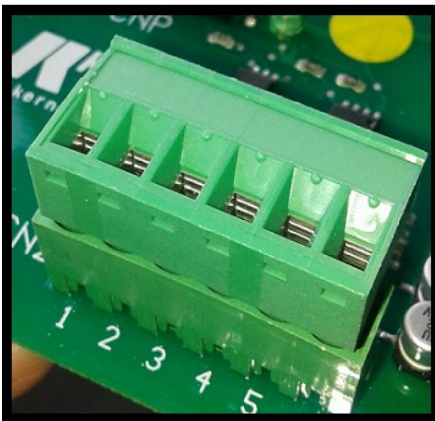
3.12 Informations about wires and connectors



| CHANNEL CONNECTOR | |
|--------------------------------------|--|
| Nominal Cross Section | 6 mm ² |
| Stripping length | 8 mm |
| Conductor cross section AWG/kcmil | 24 to 10 |
| Screw | M3 |
| Min / Max Torque | 0.50 Nm / 0.60 Nm [4.4 Lbf-In / 5.3 Lbf-In] |
| Operating temperature | -40°C ÷ (depends on the derating curve) |



| VOLTAGE CONNECTOR | |
|--------------------------------------|--|
| Wire Section | 2.5 mm ² / 0.20-2.5 mm ² |
| Stripping length | 7 mm |
| Conductor cross section AWG/kcmil | 24 to 12 |
| Screw | M3 |
| Min / Max Torque | 0.50 Nm / 0.60 Nm [4.4 Lbf-In / 5.3 Lbf-In] |
| Operating temperature | -40°C ÷ (depends on the derating curve) |



| OTHER CONNECTORS (Power Supply ...) | |
|-------------------------------------|--|
| Wire Section | 2.5 mm ² / 0.34-2.5 mm ² |
| Stripping length | 7 - 8 mm |
| Solid Wire (AWG) | 12-24 / 14-22 |
| Screw | M3 |
| Max Torque | 0.56 Nm [5.0 Lbf-In] |
| Operating temperature | -40°C ÷ +115°C |



| Copper Bar | |
|------------------|--|
| Min / Max Torque | 2.2 Nm / 2.5 Nm [19.5 Lbf-In / 22.1 Lbf-In] |

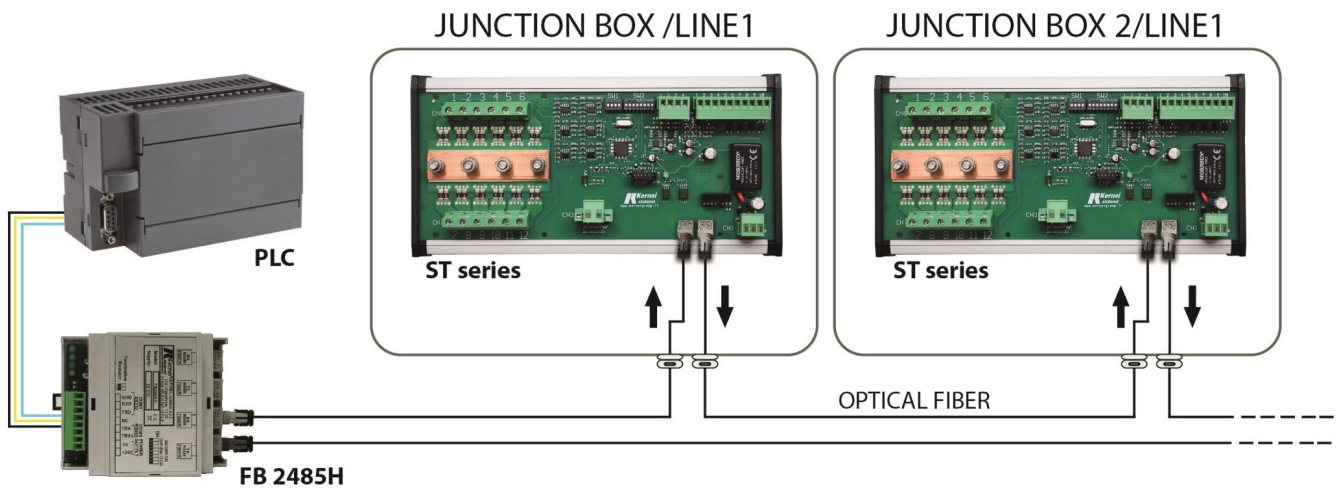
3.13 Connection Types

Is possible connect STON with 3 different configurations as below! The 3 types are the following :

1. "Single Ring or Single Connection"
2. "Double Ring or Double Connection" [Redundant]
3. "Multidrop Connection" [Redundant]

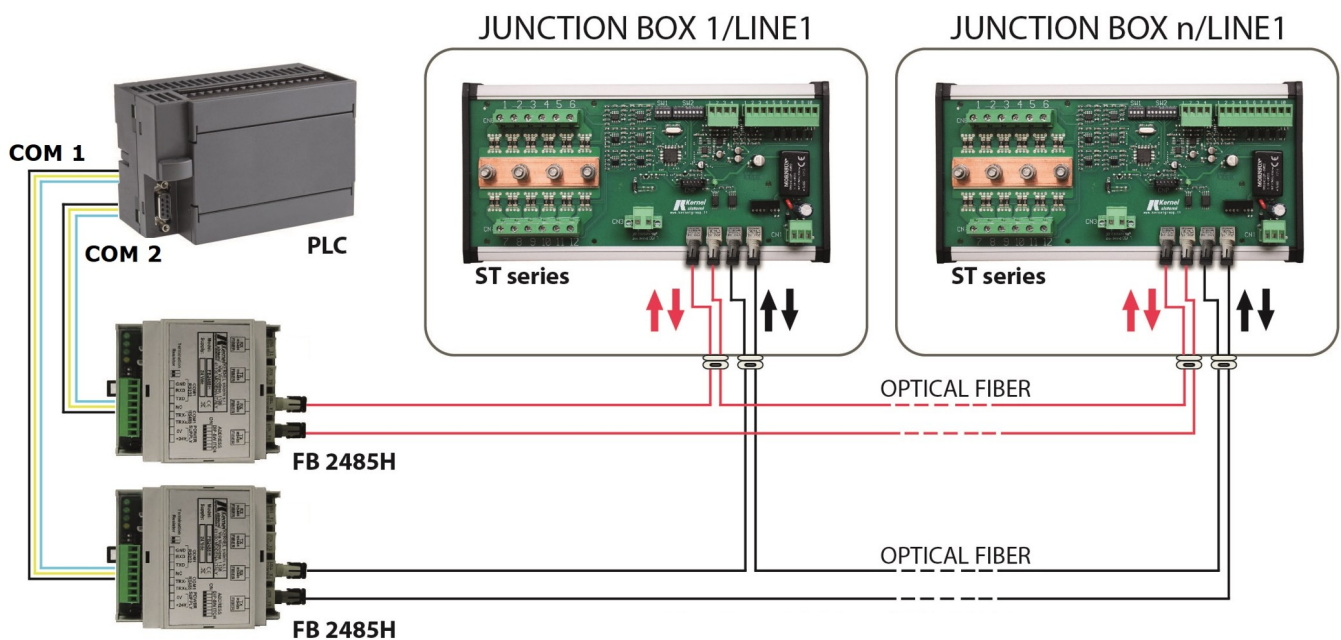
The final result is as schematized here below :

SINGLE RING / SINGLE CONNECTION



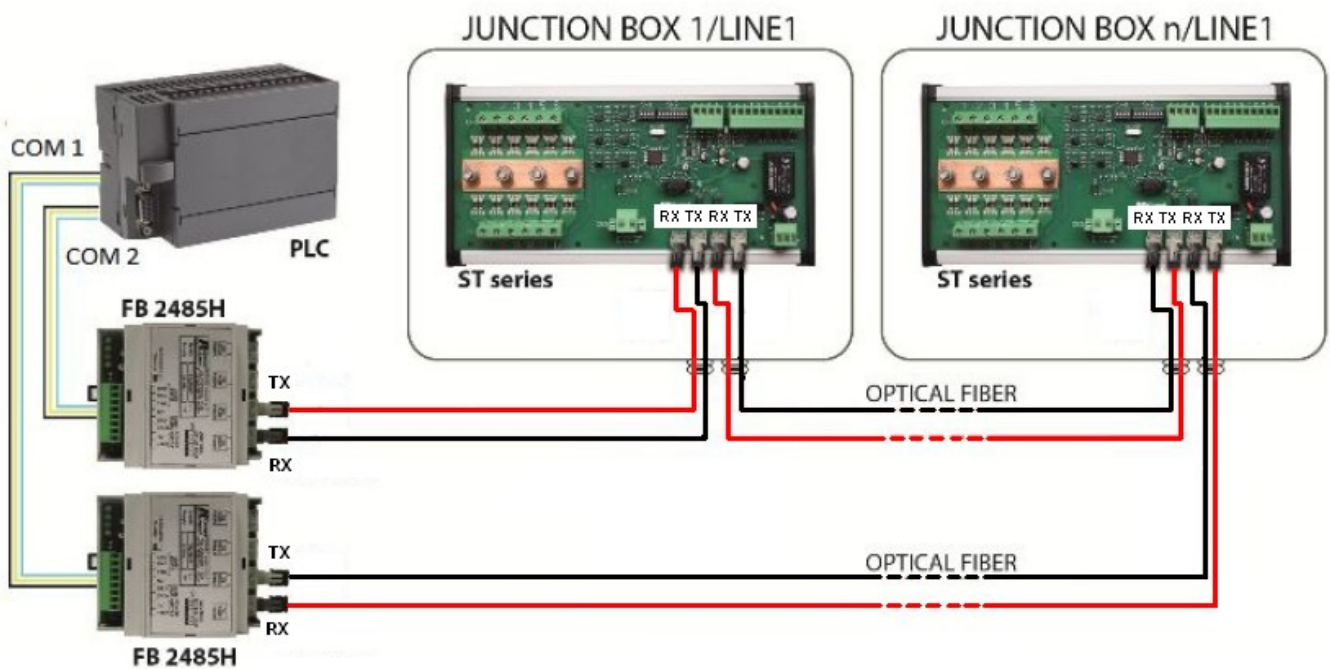
Protocol = MODBUS or IEC 60870-5-101

DOUBLE RING / DOUBLE CONNECTION [REDUNDANT]



Protocol = MODBUS or IEC 60870-5-101

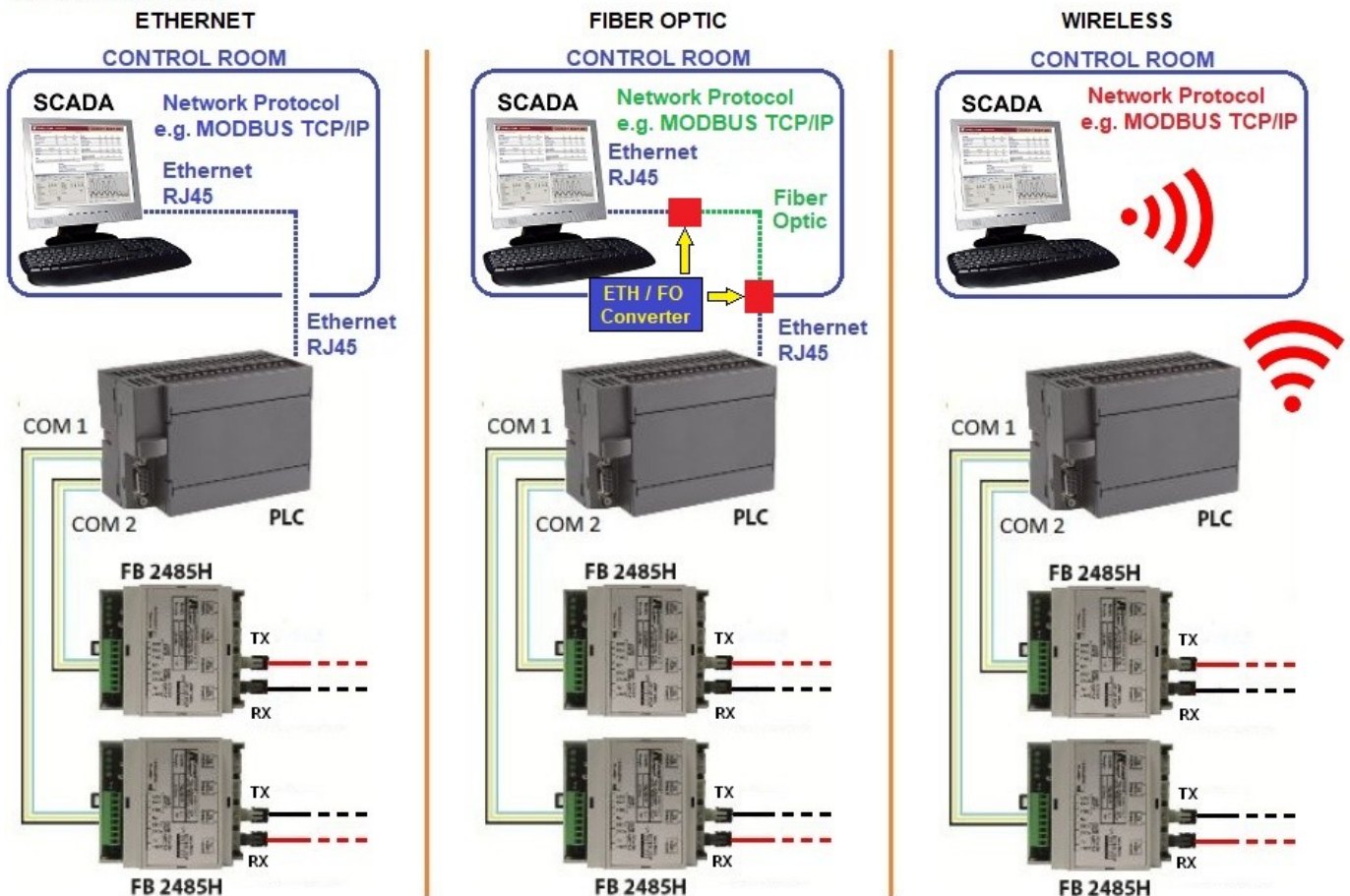
MULTIDROP CONNECTION [REDUNDANT]



Protocol = MODBUS or IEC 60870-5-101

3.14 Scada - PLC

Typically the PLC communicates via Modbus TCP / IP protocol with the SCADA in the control room with Ethernet or fiber optic or wireless connection.



4 MEMORY MAP

The STON has the following memory map, it's made of 16 bits locations (1 word) called "REGISTER". Because each REGISTER is composed by 16 bits, its maximum value will be 65535.

| MODBUS Register | TYPE | DESCRIPTION |
|-----------------|------|------------------------------------|
| 30001 | RO | Inputs |
| 30002 | RO | Inst Curr Str_01 (mA [0...15000]) |
| 30003 | RO | Inst Curr Str_02 (mA [0...15000]) |
| 30004 | RO | Inst Curr Str_03 (mA [0...15000]) |
| 30005 | RO | Inst Curr Str_04 (mA [0...15000]) |
| 30006 | RO | Inst Curr Str_05 (mA [0...15000]) |
| 30007 | RO | Inst Curr Str_06 (mA [0...15000]) |
| 30008 | RO | Inst Curr Str_07 (mA [0...15000]) |
| 30009 | RO | Inst Curr Str_08 (mA [0...15000]) |
| 30010 | RO | Inst Curr Str_09 (mA [0...15000]) |
| 30011 | RO | Inst Curr Str_10 (mA [0...15000]) |
| 30012 | RO | Inst Curr Str_11 (mA [0...15000]) |
| 30013 | RO | Inst Curr Str_12 (mA [0...15000]) |
| 30014 | RO | Inst Curr Str_13 (mA [0...15000]) |
| 30015 | RO | Inst Curr Str_14 (mA [0...15000]) |
| 30016 | RO | Inst Curr Str_15 (mA [0...15000]) |
| 30017 | RO | Inst Curr Str_16 (mA [0...15000]) |
| 30018 | RO | Inst Curr Str_17 (mA [0...15000]) |
| 30019 | RO | Inst Curr Str_18 (mA [0...15000]) |
| 30020 | RO | Inst Curr Str_19 (mA [0...15000]) |
| 30021 | RO | Inst Curr Str_20 (mA [0...15000]) |
| 30022 | RO | Inst Curr Str_21 (mA [0...15000]) |
| 30023 | RO | Inst Curr Str_22 (mA [0...15000]) |
| 30024 | RO | Inst Curr Str_23 (mA [0...15000]) |
| 30025 | RO | Inst Curr Str_24 (mA [0...15000]) |
| 30026 | RO | Inst Curr Str_25 (mA [0...15000]) |
| 30027 | RO | Inst Curr Str_26 (mA [0...15000]) |
| 30028 | RO | Inst Curr Str_27 (mA [0...15000]) |
| 30029 | RO | Inst Curr Str_28 (mA [0...15000]) |
| 30030 | RO | Inst Curr Str_29 (mA [0...15000]) |
| 30031 | RO | Inst Curr Str_30 (mA [0...15000]) |
| 30032 | RO | Inst Curr Str_31 (mA [0...15000]) |
| 30033 | RO | Inst Curr Str_32 (mA [0...15000]) |
| 30034 | RO | Fuse status (Ch01...Ch16) |
| 30035 | RO | Fuse status (Ch17...Ch32) |
| ... | | |
| 30040 | RO | Inst V_1 (V [0...1500]) |
| ... | | |
| 30044 | RO | Inst T_1 (°C [-20...+120]) - PT100 |

| | | |
|-------|----|--|
| 30045 | RO | Inst T_2 (°C [-22,0...+83,0]) - on board |
| ... | | |
| 30047 | RO | Sum of all currents (A / 10) |
| 30048 | RO | Power (W) - LSW |
| 30049 | RO | Power (W) - MSW |
| ... | | |
| 30052 | RO | RMS Curr Str_01 (average value on last 6 seconds) |
| 30053 | RO | RMS Curr Str_02 (average value on last 6 seconds) |
| 30054 | RO | RMS Curr Str_03 (average value on last 6 seconds) |
| 30055 | RO | RMS Curr Str_04 (average value on last 6 seconds) |
| 30056 | RO | RMS Curr Str_05 (average value on last 6 seconds) |
| 30057 | RO | RMS Curr Str_06 (average value on last 6 seconds) |
| 30058 | RO | RMS Curr Str_07 (average value on last 6 seconds) |
| 30059 | RO | RMS Curr Str_08 (average value on last 6 seconds) |
| 30060 | RO | RMS Curr Str_09 (average value on last 6 seconds) |
| 30061 | RO | RMS Curr Str_10 (average value on last 6 seconds) |
| 30062 | RO | RMS Curr Str_11 (average value on last 6 seconds) |
| 30063 | RO | RMS Curr Str_12 (average value on last 6 seconds) |
| 30064 | RO | RMS Curr Str_13 (average value on last 6 seconds) |
| 30065 | RO | RMS Curr Str_14 (average value on last 6 seconds) |
| 30066 | RO | RMS Curr Str_15 (average value on last 6 seconds) |
| 30067 | RO | RMS Curr Str_16 (average value on last 6 seconds) |
| 30068 | RO | RMS Curr Str_17 (average value on last 6 seconds) |
| 30069 | RO | RMS Curr Str_18 (average value on last 6 seconds) |
| 30070 | RO | RMS Curr Str_19 (average value on last 6 seconds) |
| 30071 | RO | RMS Curr Str_20 (average value on last 6 seconds) |
| 30072 | RO | RMS Curr Str_21 (average value on last 6 seconds) |
| 30073 | RO | RMS Curr Str_22 (average value on last 6 seconds) |
| 30074 | RO | RMS Curr Str_23 (average value on last 6 seconds) |
| 30075 | RO | RMS Curr Str_24 (average value on last 6 seconds) |
| 30076 | RO | RMS Curr Str_25 (average value on last 6 seconds) |
| 30077 | RO | RMS Curr Str_26 (average value on last 6 seconds) |
| 30078 | RO | RMS Curr Str_27 (average value on last 6 seconds) |
| 30079 | RO | RMS Curr Str_28 (average value on last 6 seconds) |
| 30080 | RO | RMS Curr Str_29 (average value on last 6 seconds) |
| 30081 | RO | RMS Curr Str_30 (average value on last 6 seconds) |
| 30082 | RO | RMS Curr Str_31 (average value on last 6 seconds) |
| 30083 | RO | RMS Curr Str_32 (average value on last 6 seconds) |
| 30084 | RO | RMS V_1 (V [0...1500]) (average value on last 6 seconds) |
| ... | | |
| 30088 | RO | RMS Inst T_1 (°C [-20...+120]) (average value on last 6 seconds) |
| 30089 | RO | RMS Inst T_2 (°C [-22,0...+83,0]) (average value on last 6 seconds) |
| ... | | |
| 30091 | RO | RMS Sum of all currents (A / 10) (average value on last 6 seconds) |
| 30092 | RO | RMS Power (W) - LSW (average value on last 6 seconds) |

| | | | |
|-------|----|---|-----------|
| 30093 | RO | RMS Power (W) - MSW (average value on last 6 seconds) | |
| ... | | | |
| 30201 | RO | Firmware Version | READ ONLY |
| 30202 | RO | SMU Model | READ ONLY |
| 30203 | RO | Channels Number | READ ONLY |
| 30204 | RO | Shunt Type | READ ONLY |
| 30205 | RO | End Scale | READ ONLY |
| 30206 | RO | Reserved for Future Use | RFU |
| 30207 | RO | Reserved for Future Use | RFU |
| 30208 | RO | Reserved for Future Use | RFU |
| 30209 | RO | Reserved for Future Use | RFU |
| 30210 | RO | Reserved for Future Use | RFU |
| 30211 | RO | Unique ID code [0] | READ ONLY |
| 30212 | RO | Unique ID code [1] | READ ONLY |
| 30213 | RO | Unique ID code [2] | READ ONLY |
| 30214 | RO | Unique ID code [3] | READ ONLY |
| 30215 | RO | Unique ID code [4] | READ ONLY |
| 30216 | RO | Unique ID code [5] | READ ONLY |
| ... | | | |
| 40001 | RW | Set up PARITY mode : 1 = None ; 2 = Even ; 3 = Odd | |
| 40002 | RW | Offset Curr Str_01 | |
| 40003 | RW | Offset Curr Str_02 | |
| 40004 | RW | Offset Curr Str_03 | |
| 40005 | RW | Offset Curr Str_04 | |
| 40006 | RW | Offset Curr Str_05 | |
| 40007 | RW | Offset Curr Str_06 | |
| 40008 | RW | Offset Curr Str_07 | |
| 40009 | RW | Offset Curr Str_08 | |
| 40010 | RW | Offset Curr Str_09 | |
| 40011 | RW | Offset Curr Str_10 | |
| 40012 | RW | Offset Curr Str_11 | |
| 40013 | RW | Offset Curr Str_12 | |
| 40014 | RW | Offset Curr Str_13 | |
| 40015 | RW | Offset Curr Str_14 | |
| 40016 | RW | Offset Curr Str_15 | |
| 40017 | RW | Offset Curr Str_16 | |
| 40018 | RW | Offset Curr Str_17 | |
| 40019 | RW | Offset Curr Str_18 | |
| 40020 | RW | Offset Curr Str_19 | |
| 40021 | RW | Offset Curr Str_20 | |
| 40022 | RW | Offset Curr Str_21 | |
| 40023 | RW | Offset Curr Str_22 | |
| 40024 | RW | Offset Curr Str_23 | |
| 40025 | RW | Offset Curr Str_24 | |

| | | |
|-------|----|--|
| 40026 | RW | Offset Curr Str_25 |
| 40027 | RW | Offset Curr Str_26 |
| 40028 | RW | Offset Curr Str_27 |
| 40029 | RW | Offset Curr Str_28 |
| 40030 | RW | Offset Curr Str_29 |
| 40031 | RW | Offset Curr Str_30 |
| 40032 | RW | Offset Curr Str_31 |
| 40033 | RW | Offset Curr Str_32 |
| 40034 | RW | Answer Delay (msec) |
| 40035 | RW | Time Com Active (1/10 sec.) |
| 40036 | RW | Parity (1 = None, 2 = Even, 3 = Odd) = 40001 |
| 40037 | RW | Fuse Threshold |
| ... | | |
| 40040 | RW | Offset V_1 |
| ... | | |
| 40044 | RW | Offset T_1 |
| 40045 | RW | Offset T_2 |
| ... | | |
| 40047 | RW | Minimum Current (Default = 1 A) |
| 40048 | RW | Minimum Voltage (Default = 100 V) |
| ... | | |
| 40052 | RW | Gain Curr Str_1 |
| 40053 | RW | Gain Curr Str_2 |
| 40054 | RW | Gain Curr Str_3 |
| 40055 | RW | Gain Curr Str_4 |
| 40056 | RW | Gain Curr Str_5 |
| 40057 | RW | Gain Curr Str_6 |
| 40058 | RW | Gain Curr Str_7 |
| 40059 | RW | Gain Curr Str_8 |
| 40060 | RW | Gain Curr Str_9 |
| 40061 | RW | Gain Curr Str_10 |
| 40062 | RW | Gain Curr Str_11 |
| 40063 | RW | Gain Curr Str_12 |
| 40064 | RW | Gain Curr Str_13 |
| 40065 | RW | Gain Curr Str_14 |
| 40066 | RW | Gain Curr Str_15 |
| 40067 | RW | Gain Curr Str_16 |
| 40068 | RW | Gain Curr Str_17 |
| 40069 | RW | Gain Curr Str_18 |
| 40070 | RW | Gain Curr Str_19 |
| 40071 | RW | Gain Curr Str_20 |
| 40072 | RW | Gain Curr Str_21 |
| 40073 | RW | Gain Curr Str_22 |
| 40074 | RW | Gain Curr Str_23 |

| | | |
|-------|----|------------------|
| 40075 | RW | Gain Curr Str_24 |
| 40076 | RW | Gain Curr Str_25 |
| 40077 | RW | Gain Curr Str_26 |
| 40078 | RW | Gain Curr Str_27 |
| 40079 | RW | Gain Curr Str_28 |
| 40080 | RW | Gain Curr Str_29 |
| 40081 | RW | Gain Curr Str_30 |
| 40082 | RW | Gain Curr Str_31 |
| 40083 | RW | Gain Curr Str_32 |

...

| | | |
|-------|----|----------|
| 40090 | RW | Gain V_1 |
|-------|----|----------|

...

| | | |
|-------|----|----------|
| 40094 | RW | Gain T_1 |
| 40095 | RW | Gain T_2 |

...

| | | |
|-------|----|----------------|
| 40101 | RW | User Memory 01 |
| 40102 | RW | User Memory 02 |
| 40103 | RW | User Memory 03 |
| 40104 | RW | User Memory 04 |
| 40105 | RW | User Memory 05 |
| 40106 | RW | User Memory 06 |
| 40107 | RW | User Memory 07 |
| 40108 | RW | User Memory 08 |

...

| | | | |
|-------|----|------------------------------|-----------|
| 40201 | RO | Shunt Type (= 30204) | READ ONLY |
| 40202 | RO | SMU Model (= 30202) | READ ONLY |
| 40203 | RO | Firmware Version (= 30201) | READ ONLY |
| 40204 | RO | Channels Number (= 30203) | READ ONLY |
| 40205 | RO | End Scale (= 30205) | READ ONLY |
| 40206 | RO | Reserved for Future Use | RFU |
| 40207 | RO | Reserved for Future Use | RFU |
| 40208 | RO | Reserved for Future Use | RFU |
| 40209 | RO | Reserved for Future Use | RFU |
| 40210 | RO | Unique ID code [0] (= 30211) | READ ONLY |
| 40211 | RO | Unique ID code [1] (= 30212) | READ ONLY |
| 40212 | RO | Unique ID code [2] (= 30213) | READ ONLY |
| 40213 | RO | Unique ID code [3] (= 30214) | READ ONLY |
| 40214 | RO | Unique ID code [4] (= 30215) | READ ONLY |
| 40215 | RO | Unique ID code [5] (= 30216) | READ ONLY |

NOTES

Each “Offset Register” has 0 as default value. Each “Gain Register” has 1000 as default value. *The value 1000 means x1*, in this way, for example, is possible write 500 and make the value *x0,5*.

4.1 Memory Map Description

30001 : the first two bits of these register are the mirror status of the two digital inputs on the board (INP0, INP1 on CN4). So if 30001 = 0000000000000011 [bin] = 3 [dec], it means that all the two digital inputs are ON.

30002 ... 30033 : these registers contains the current value of the current reading on each channel. It is in mA

30034, 30035 : the sixteen bits of 30034 and the sixteen bits of 30035 show if each channel current reading is under 200 mA or not. This threshold represent the fuse status.

30040 ... 30049 : these registers show the value of some readings as the temperatures (T1 and T2), voltage reading (on connector CN3) etc...

30052 ... 30083 : these registers contains the average value on last 6 seconds of the current reading. Obviously these values are more stable than the instantaneous values show in registers 30002 ... 30033

40001 : through this register is possible set the communication parity. The default value is zero, so “no parity”

40002 ... 40033 : these are the offset registers. These registers (whose default value is 0) allow to add a constant value to the current reading. This allow to adjust a possible reading error. For example if 30002 show 2300 (it means that channel CH1 read 2,3A), writing 40002 = 200 the new value of the reading will be 30002 = 2500 (it means that channel CH1 read 2,5A).

40052 ... 40083 : these are the gain registers. These registers (whose default value is 1000) allow to multiply a constant value to the current reading. This allow to adjust a possible reading error. For example if 30002 show 2300 (it means that channel CH1 read 2,3A), writing 40052 = 1500 the new value of the reading will be 30002 = 3450 (it means that channel CH1 read 3,45A, $2300 \times 1,5 = 3450$).

40101 ... 40108 : these are 8 registers available to the user. They can contain data useful to the customer, for example a different progressive number for each board.

40201 : Shunt Type (= 30204) - READ ONLY

40202 : SMU Model (= 30202) - READ ONLY

40203 : Firmware Version (= 30201) - READ ONLY

40204 : Channels Number (= 30203) - READ ONLY

40205 : End Scale (= 30205) - READ ONLY

40206 ... 40209 : Not Used - Reserved for Future Use (RFU)

40210 ... 40215 : **Unique device ID register (96 bits)** (organized in six 16 bit words) that is unique for any board. (= 30211 ... 30216) - READ ONLY

The unique device identifier is ideally suited :

- for use as serial numbers (for example string serial numbers or other end applications).
- for use as part of the security keys in order to increase the security.

The 96-bit unique device identifier provides a reference number which is unique for any device and in any context. These bits cannot be altered by the user. The code is composed of the following parts :

```

UID [31:00] : X and Y coordinates on the wafer expressed in BCD format
UID [39:32] : WAF_NUM [07:00] > Wafer number (8-bit unsigned number)
UID [63:40] : LOT_NUM [23:00] > Lot number (ASCII encoded)
UID [95:64] : LOT_NUM [55:24] > Lot number (ASCII encoded)

```

4.2 Reading speed

The analogic values of the currents, the voltage and the temperature are read simultaneously 10 times per second (100 msec scan time), then are inserted in it's own FIFO (a FIFO for each analogic value), 16 values deep. The value read from the board is the mobile mean of the FIFO, so it is the mean of the last 16 read values (1.6 sec), updated every 100 msec. This is done to make the analogic readout more stable and it is a good compromise between speed and readout stability.

The instant values of the analogic are temporary stored into a hidden memory area, not accessible to the COM port.

The update time depend on the speed polling time of the SCADA and the communication baud rate.

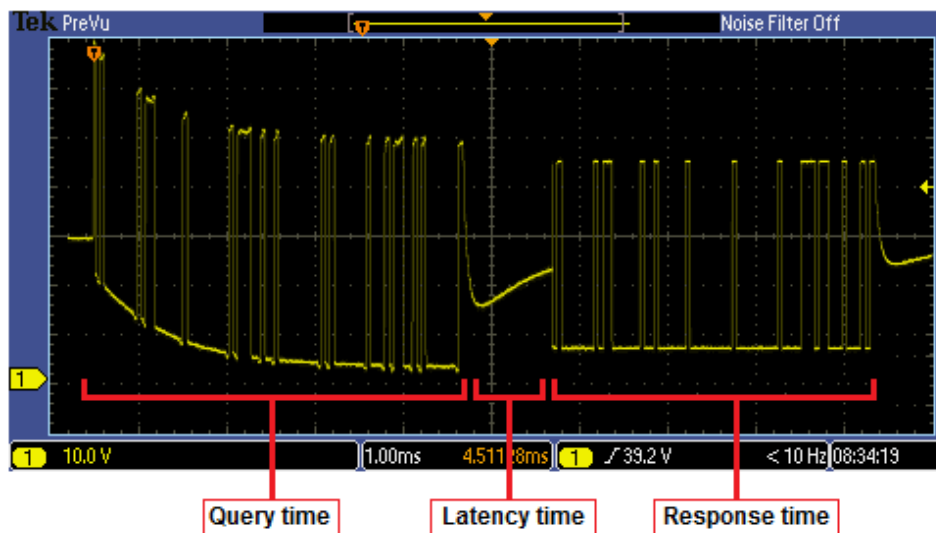
The total time requested to read the board via com port is splitted into three times: *the query time, the latency time and the response time.*

The query time is the time needed by the SCADA to send the MODBUS query packet and depends on the baud rate (about 4 msec at 19200 baud rate).

The latency time is the time need by the board to process the query and prepare the answer, it is between 1 and 2 msec and it is independent on the baud rate.

The response time is the time needed byte the board to send the MODBUS answer packet, it's depend on the baud rate and on the number of registers read at a time, for a single register read at 19200 baud it is about 4 msec.

So at 19200 baud rate the total time needed to read a single register is about 10 msec., you have to add 1 msec every other register read, for example to read 16 registers with a single query will take $10 \text{ msec} + 15 * 1 \text{ msec} = 25 \text{ msec}$.



5 OPTICAL FIBER

5.1 OFC Network features

The characteristics of the fiber optic network achievable with the KERNEL SMUs with OFC interface on board are the following :

| | |
|--|---|
| Max number of SMU that it's possible to connect in one network | 256 |
| Maximum distance between 2 consecutive SMUs | 2 - 3 KM if the "fiber / connector" connections are correct |
| Recommended fiber optic features | Multimode OM2 class or higher 50/125 μm or 62.5/125 μm |
| Connectors features | ST |

IMPORTANT

The optical signal is regenerated internally to each SMU so that, each SMU retransmits the optical signal at the maximum power.

So the first SMU, connected to the FB2485H converter, receives the same level of optical signal that receives the last SMU of the network.

IMPORTANT

5.2 Optical Fiber Cable

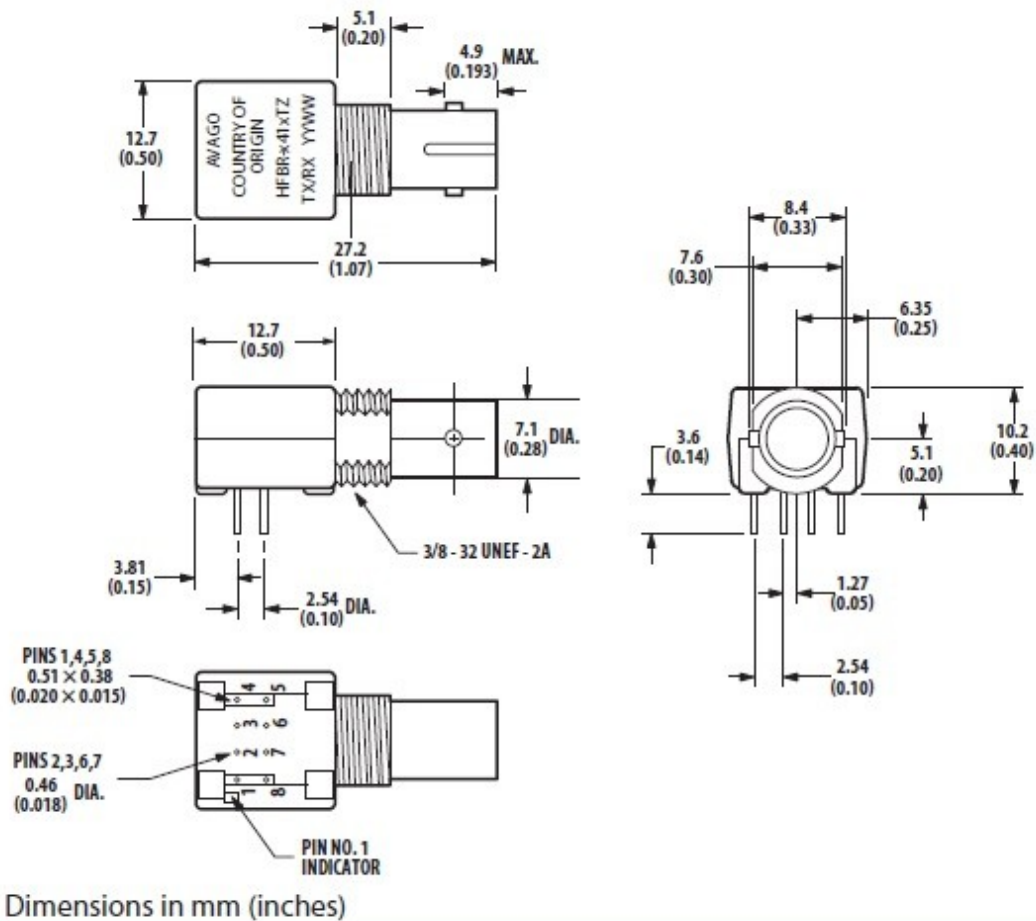
The optical fiber cable which is necessary to the connection, must be a compatible cable :

| | |
|-----------------------------|---|
| Optical Fiber | Compatible with : 50/125 μm 62.5/125 μm 100/140 μm 200 μm Plastic-Clad Silica (PCS) Fiber |
| In Compliance with standard | OM1, OM2, OM3, OM4 |



5.3 Optical Fiber Connector

Here are indicated the characteristics of the optical fiber connector on the board :



6 ORDER CODES

Here below the order codes :

| CODE | DESCRIPTION |
|----------------|--|
| ST0N 3215NC\SR | Device with support for din rail bar + 2 Fiber Optic Connectors |
| ST0N 3215NK\SR | Device without support for din rail bar + 2 Fiber Optic Connectors |
| ST0N 3215NC\DR | Device with support for din rail bar + 4 Fiber Optic Connectors |
| ST0N 3215NK\DR | Device without support for din rail bar + 4 Fiber Optic Connectors |

7 CONTACTS

GENERAL

Tel: 059 469978
website: www.kernelgroup.it
e-mail: info@kernelgroup.it

COMMERCIAL

Sig.ra Linda Mammi
Tel: 059 469978 Int. 207
e-mail: sales@kernelgroup.it
Skype: mammi.kernel

ADMINISTRATION

Sig.ra Paola Morandi
Tel: 059 469978 Int. 201
e-mail: amministrazione@kernelgroup.it
Skype: morandi.kernel

PURCHASING and PRODUCTION

Sig. Stefano Catuogno
Tel: 059 469978 Int. 204
e-mail: produzione@kernelgroup.it
Skype: catuogno.kernel

TECHNICAL OFFICE

Sig. Alessandro Muratori
Tel: 059 469978 Int. 205
e-mail: alessandro.muratori@kernelgroup.it
Skype: muratori.kernel

Support
Tel: 059 469978 Int. 209
e-mail: support@kernelgroup.it
Skype: support.kernel

Sig. Morisi Luca
e-mail: luca.morisi@kernelgroup.it
Skype: morisi.kernel

Kernel Sistemi s.r.l. , via Vignolese n. 1138
41126 Modena - ITALY
Tel. 059 469 978 - Fax 059 468 874
www.kernelgroup.it