

# STOHS 16xx

(25 - 45 - 60 A)



## DATA SHEET

rev. 1.4  
04 December 2024

Kernel Sistemi  
Kernel Sistemi s.r.l. , via Vignolese n. 1138  
41126 Modena - ITALY  
Tel. 059 469 978 - Fax 059 468 874  
www.kernelgroup.it

## INDEX

- 1 SAFETY..... 3**
- 2 GENERAL NOTES..... 4**
  - 2.1 Introduction..... 4
- 3 HARDWARE CHARACTERISTICS..... 5**
  - 3.1 Hardware Characteristics..... 5
  - 3.2 Board Dimensions..... 6
  - 3.3 Connectors..... 6
  - 3.4 Connector : CN1..... 7
  - 3.5 Connector : CN2..... 7
  - 3.6 Connector : CN3..... 7
  - 3.7 Connector : CN4..... 8
  - 3.8 Dip-switches..... 8
  - 3.9 Memory Protection..... 9
  - 3.10 Fixing system of the naked board (without supporting box)..... 9
  - 3.11 Status led..... 9
  - 3.12 RS485 Communication cable..... 9
  - 3.13 Positive Current Values..... 10
  - 3.14 Informations about wires and connectors..... 10
- 4 MEMORY MAP..... 11**
  - 4.1 Memory Map Description..... 15
  - 4.2 Reading speed..... 16
- 5 ORDER CODES..... 16**
- 6 CONTACTS..... 17**


### Attention

*The information contained in this document may change without notice.  
Therefore, please check our website ([www.kernelgroup.it](http://www.kernelgroup.it)) regularly  
and always download the latest version available.*


# 1 SAFETY

This product is a String Monitoring System (SMU) and its application is the monitoring of photovoltaic systems. From an electrical point of view, by their nature, photovoltaic systems operate in direct current and with very high voltage and current values.





## Safety : General Conditions

	<p><b>DANGER</b></p>	<ul style="list-style-type: none"> <li>- This product is therefore designed to operate with direct current voltage values up to 1500 VDC. This voltage value is potentially fatal. Voltage values between 24 VDC and 1500 VDC are therefore present on this product.</li> <li>- All transducers connected to the auxiliary input connectors must be isolated at 1500 VDC. These transducers are PT100 and, in the case of the ST2N and ST2 series, also transducers with 0/10 VDC and 0/20 mA output (typically anemometers)</li> </ul>
---	----------------------	---

## Safety : Installation and replacement precautions

	<p><b>DANGER</b></p>	<ul style="list-style-type: none"> <li>- The installation and / or replacement of this product must take place in absolute safety, therefore it is necessary to proceed with the installation and / or replacement of this product which is housed inside the field panel after disconnecting the power and dangerous voltages from solar panels.</li> <li>- In any case, any intervention involving the handling of the SMU must be carried out by skilled and trained technicians equipped with insulation gloves designed for voltage values up to 1500 VDC and after disconnecting any voltage and current from the solar panels.</li> </ul>
--	----------------------	--

## Important Safety Instructions

	<p><b>DANGER</b></p>	<ul style="list-style-type: none"> <li>- Contact with wiring terminals inside the device can cause death by electric shock!</li> <li>- Before to operate inside cards with tester, or with other measurement equipment, it is mandatory TO OPEN fuses and other components that can bring high level voltage inside cards.</li> </ul>
	<p><b>WARNING</b></p>	<ul style="list-style-type: none"> <li>- Please check all input and output wire terminals in case of high DC voltage and make sure there is no voltage before electrical connection to avoid electric shock!</li> <li>- Do not touch the live parts of the input and output sides to avoid electric shock when checking or maintaining the device.</li> <li>- All installation and wiring connections must be made by qualified technical personnel only.</li> </ul>
	<p><b>CAUTION</b></p>	<ul style="list-style-type: none"> <li>- All wiring and operation must comply with the requirements of the relevant local standards of the device.</li> <li>- Check the device and make sure there are no problems with the installation before putting it into operation!</li> <li>- Connect the wires to the positive and negative marked positions of the device to avoid the risk of short circuit, ensure personal safety and keep the device in normal operation.</li> </ul>
	<p><b>IMPORTANT</b></p>	<p style="text-align: center;"><b>Reference to current standards</b></p> <p>For any other consideration, safety precaution, it is absolutely necessary, before carrying out any installation and / or replacement of the SMU, to refer to the regulations in force regarding the construction of combiner boxes.</p>

## 2 GENERAL NOTES

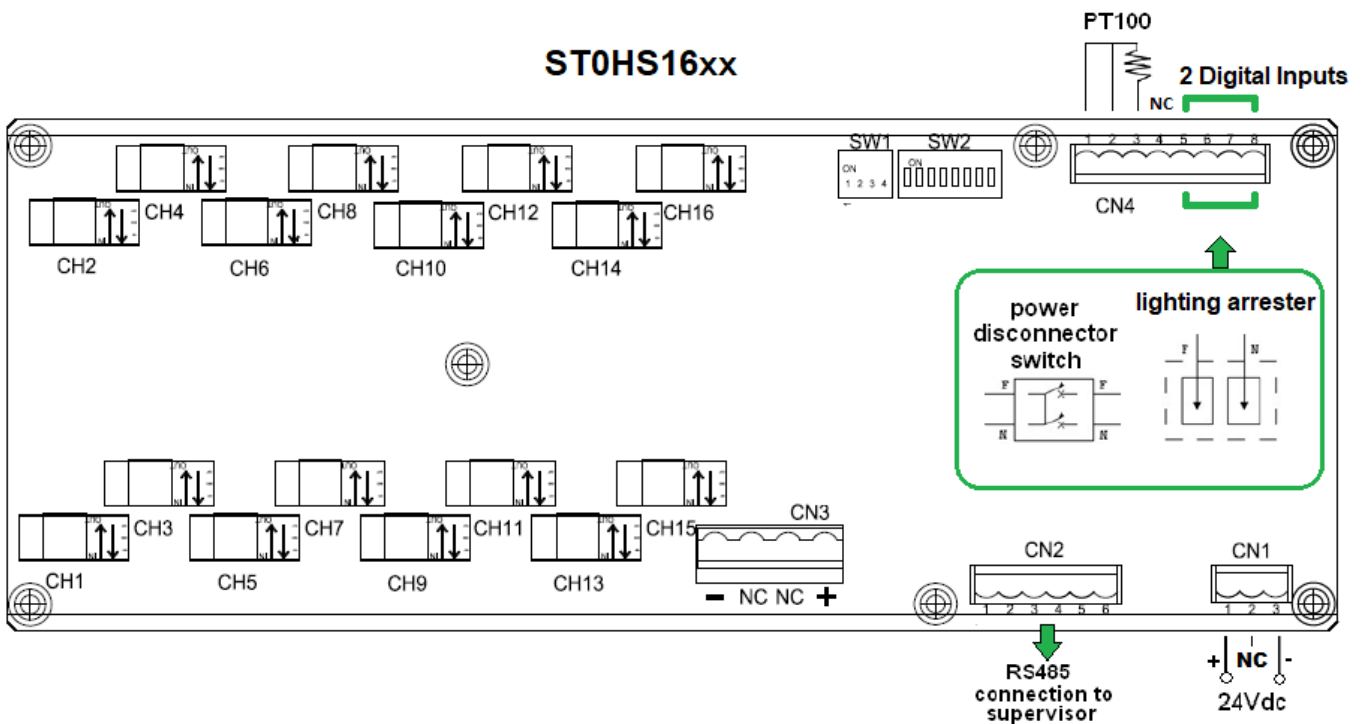
### 2.1 Introduction

The ST0HS module to string control, allow to monitoring current and voltage generated by photovoltaic panels strings. When the current will be measured goes through a sensor, the voltage will be measured at the output end.

The ST0HS board also provides two digital inputs and an on-board sensor which allow to measure the temperature. The digital inputs allows to detect the arrester state and the power disconnecter switch state.

Is possible communicate with the ST0HS board through a RS485 serial port. Using **Modbus RTU protocol**, or with **IEC 60870-5-101 protocol**, is possible monitoring all the physical quantities measured (temperature, currents, voltage). Moreover is possible keep monitored the fuses status on the string box, through the reading of an internal register on memory map (30034).

In the following image there are the “ST0HS string controller” with all the wiring. Obviously isn't necessary connect all the specified devices, they are indicated to give a connection general idea.



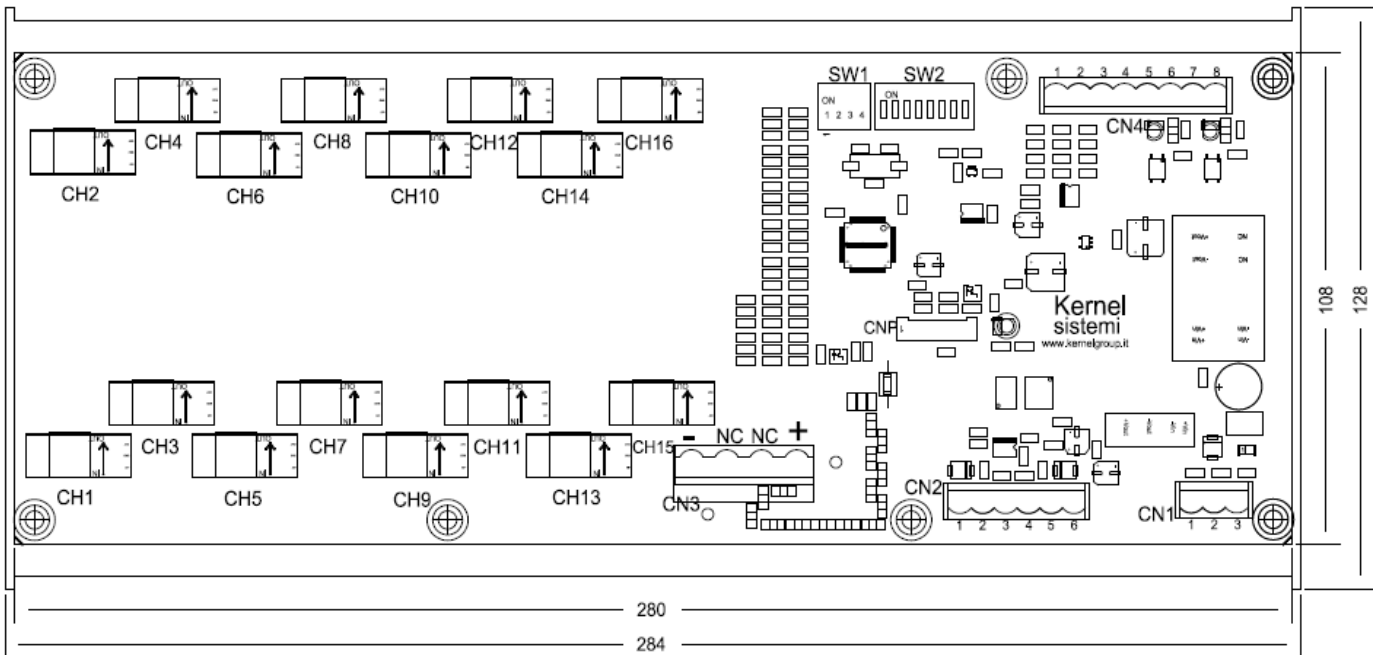
## 3 HARDWARE CHARACTERISTICS

### 3.1 Hardware Characteristics

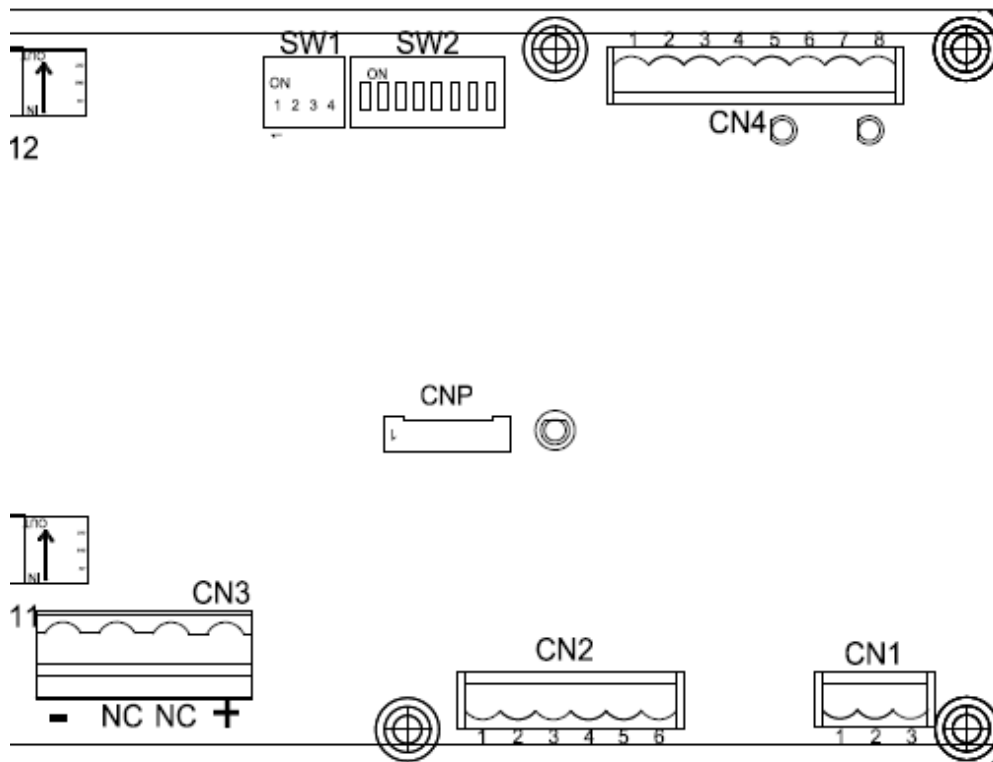
ELECTRIC CHARACTERISTICS			
Microprocessor	STM32F303		
Power supply	24 Vdc		
Power consumption (W)	< 6 W		
Maximum number of monitored strings	16		
Maximum common voltage	1500 V with precision better than 0,5 %		
Max. current for each string	25 A	45 A	60 A
Range of measurement	0 ... 400 A	0 ... 720 A	0 ... 960 A
Current reading accuracy	Better than 0,3 %		
Current reading precision	Better than 1,0 %		
Communication	RS485 / RS487 (Modbus RTU or IEC 60870-5-101)		
Digital Inputs	2 digital inputs 24 Vdc PNP		
Analog inputs	1 input PT100 + 1 on board temperature sensor to know the temperature inside the string box panel		
Working temperature's range	From -40 to +85 °C		
Working atmosphere	Without corrosive gas		
ID Address	Defined by dip-switches		
Size (naked)	280 x 108 mm		
Size (with support for din rail bar)	284 x 128 mm		
Working humidity	Lower 95 % without condensation		
MTBF	> 500000 hours		
Maximum Operating Altitude	4000 meters		
Minimum Current	1 A (programmable)	from Firmware Version : 1.31 forward	
Minimum Voltage	100 V (programmable)		

N°	Type of resources	Symbol	Terminal Block
1	Sensor on board to read the temperature (precision better than 1,5 %)	T2	On board
1	RS485 serial port. This serial port is used to connect many "STOHS string controllers" into a network or to a PC. Is possible select the communication characteristics with some dip-switches on board (node address, baud rate, parity, and communication protocol, that may be Modbus RTU or IEC 60870-5-101). This COM is divided in two connectors in order to facilitate the wiring	SERIAL PORT	CN2
1	PT100 input (from -20 to +120 °C) to temperature reading, with precision better than 1,5 %	T1	CN4
2	PNP digital inputs 24 Vdc, typically used to arrester connection, switches or other devices	INP0, INP1	CN4
16	This board can manage the current reading of 16 strings until 25 / 45 / 60 A with typical precision of 1.0 % and a temperature between -20 and +80 °C	Ch1...Ch16	Hall Sensors

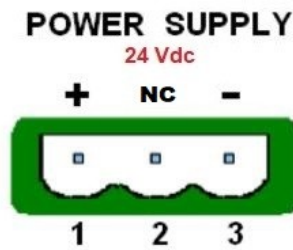
### 3.2 Board Dimensions



### 3.3 Connectors

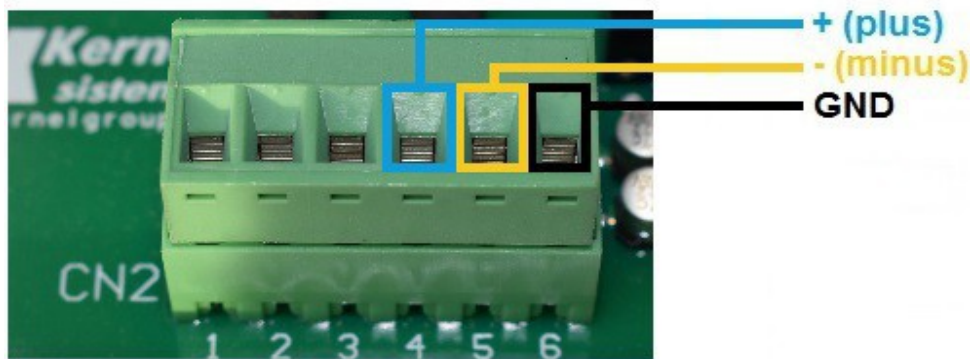


### 3.4 Connector : CN1



### 3.5 Connector : CN2

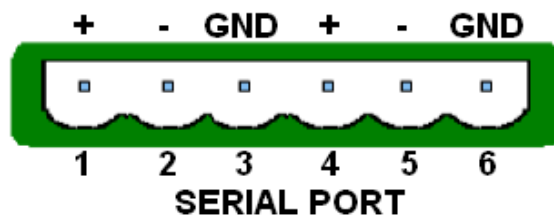
On connector CN2 there is a split serial port RS485, 3 wires : plus, minus and GND. You need to connect these three wires to the converter USB/RS485. The connector's pins which must be connected are pin 6 (GND), 5 (-) and 4 (+).



There are bridges inside cards to make easy cabling of RS485.

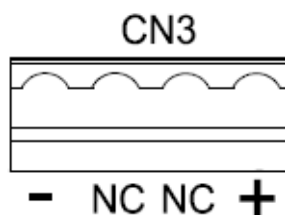
- Pin 1 is connected inside PCB to pin 4
- Pin 2 is connected inside PCB to pin 5
- Pin 3 is connected inside PCB to pin 6

It's possible to enter with 3 cables RS485 using pin 1,2,3 and exit with RS485 cables using pin 4,5,6 :



### 3.6 Connector : CN3

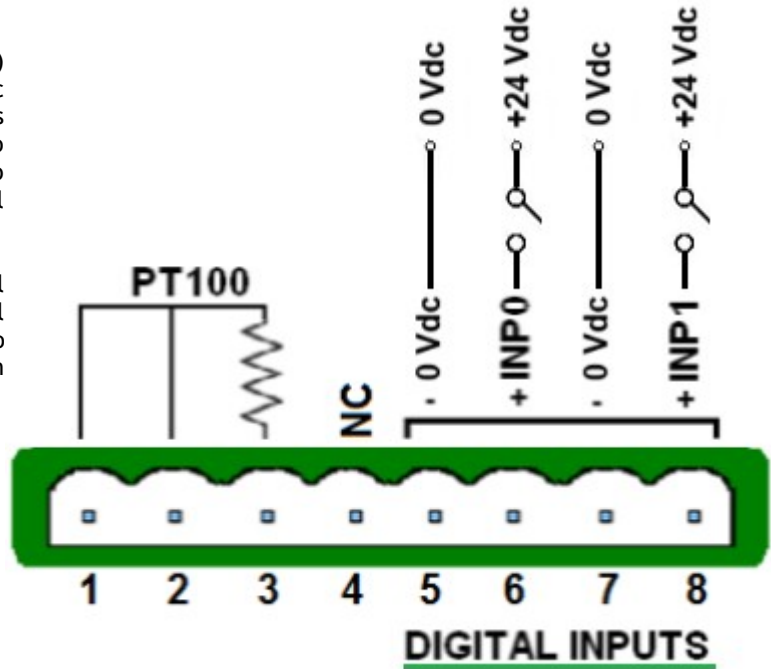
To read the voltages, is necessary connect the negative cable to pin “-” and the positive cable to the pin “+” of connector CN3. You'll find the voltage value on 30040 (instant value) or 30084 (average value on last 6 seconds).



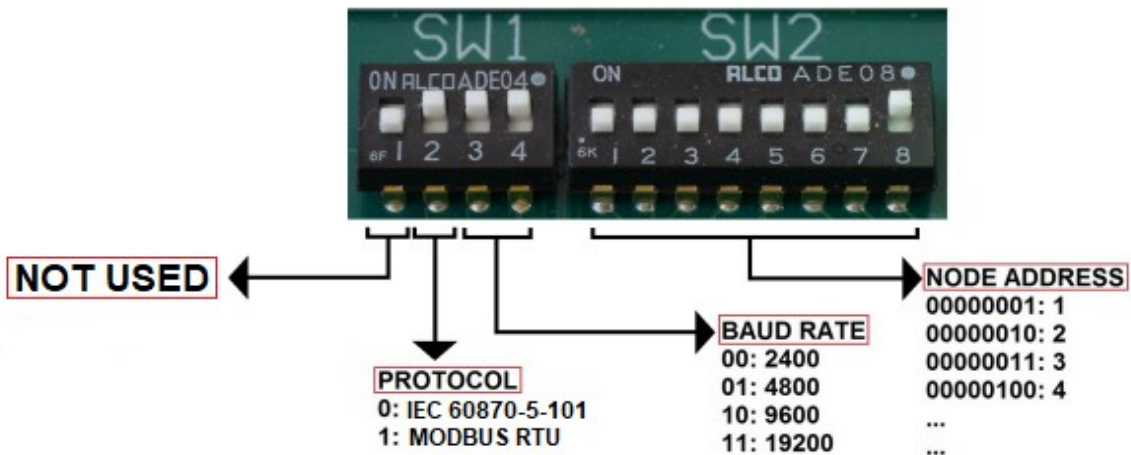
### 3.7 Connector : CN4

To know when a switch (for example the general one) is ON or OFF, there are two digital inputs PNP 24 Vdc on terminal block CN4. Each digital input status is indicated also by a led status on board. You need to use the pins 5, 6, 7 and 8. Inside the memory map the bits from 0 to 1 of register 30001 are the digital input status.

Is possible connect one PT100 to read the external temperature. The PT100 could be 2 or 3 wires, it will be connected as shown in the figure above to terminal block CN4. You can find this temperature on register 30044.

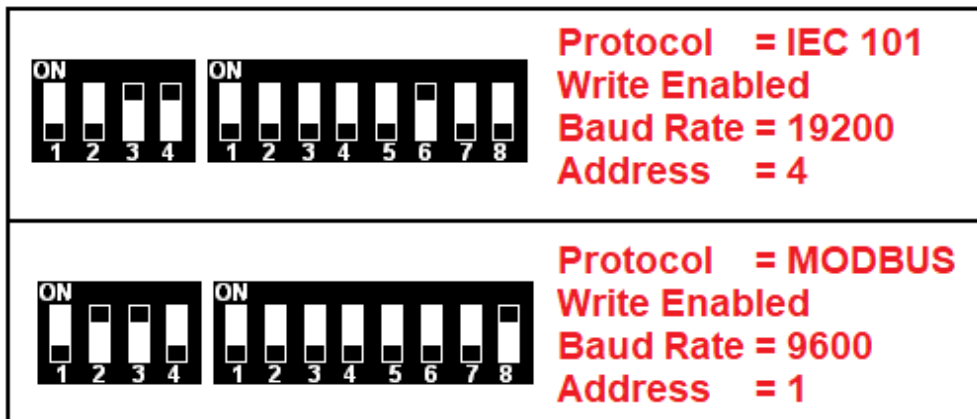


### 3.8 Dip-switches



Note : Parity = NO\_PARITY ; Bit = 8 ; Stop = 1

Some dip-switches examples :





### 3.9 Memory Protection

Memory is always protected by writing! In order to enable writing for a limited time (10 minutes), you have to write :

**Value : 0x5555 Hex**  
**Modbus Register : 40100**

### 3.10 Fixing system of the naked board (without supporting box)

To fix the naked board (without case) is necessary use plastic spacers with dual clutch. The plastic spacers must be 4x20 mm or 4x25 mm (4 mm is the hole diameter on the board). Look the below picture.



### 3.11 Status led

On the board there is a status led which with its blinking show the board status. There are two possible different blinking ways : blinking each 0,5 sec, or blinking faster. If the blinking is 0,5 sec ON and 0,5 sec OFF, it means that the board is ready to communicate with an external device, instead if the blinking is faster than 0,5 sec, it means that the board is in test mode with all the dip-switch OFF. In this way the board isn't ready to communicate with an external device.

### 3.12 RS485 Communication cable

Everything about the RS485 connection, must meet certain features :

#### Maximum cable length

it must be no longer than 1,2 Km (it means the entire line length, and not the connection between two nodes)

#### Maximum number of slaves

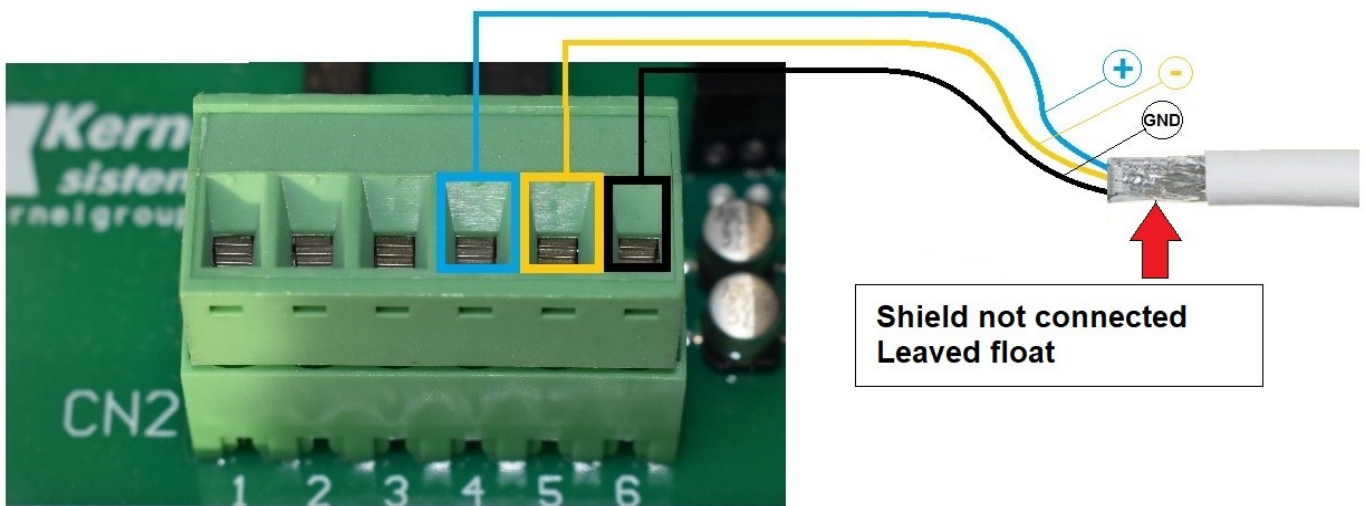
it's possible connect up to a maximum of one hundred slaves

#### Technical characteristics of the cable to use

It must be a three-wire cable 3 x 0.75 mm

#### How to do the RS485 connection

The RS485 connection must be a three wires connection (TX+, TX- and GND) with a shielded cable. The cable shield must be leaved float, it means that the shield must be not connected neither one side nor the other one.

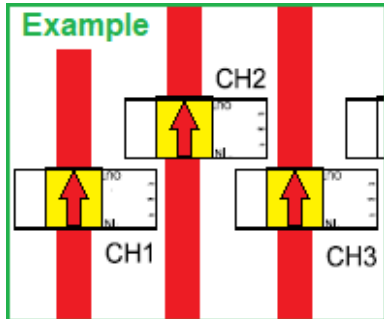


### 3.13 Positive Current Values

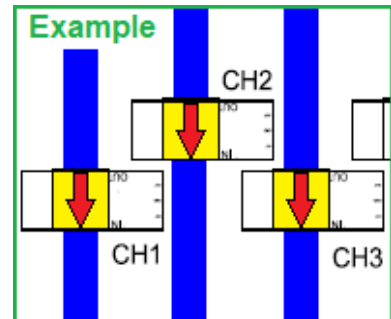
**IMPORTANT**

To have **POSITIVE CURRENT VALUES**, you must insert the cables into the Hall sensors in one of the following ways :

**IF YOU USE THE "+" [POSITIVE] CABLE**  
Insert the cable from the **BOTTOM** to the **TOP** :

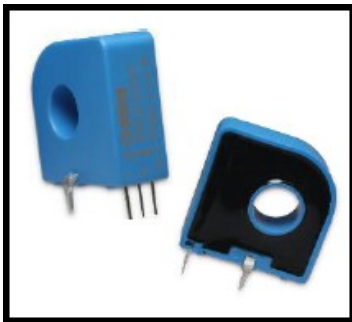


**IF YOU USE THE "-" [NEGATIVE] CABLE**  
Insert the cable from the **TOP** to the **BOTTOM** :

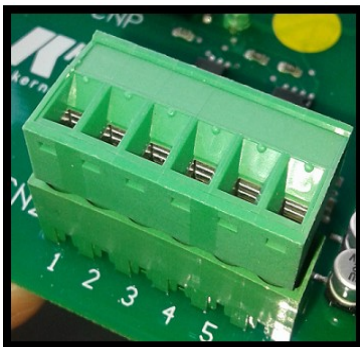


**IMPORTANT**

### 3.14 Informations about wires and connectors



CURRENT SENSOR	
Max Wire Section	10 mm <sup>2</sup>
Operating temperature	-40 °C ÷ +105 °C



OTHER CONNECTORS (Power Supply, Serial ...)	
Wire Range	2.5 mm <sup>2</sup> / 0.34-2.5 mm <sup>2</sup>
Wire Strip length	7 - 8 mm
Solid Wire (AWG)	12-24 / 14-22
Screw	M3
Max Torque	0.56 Nm [5.0 Lbf-In]
Operating temperature	-40 °C ÷ +115 °C



VOLTAGE CONNECTOR	
Wire Section	2.5 mm <sup>2</sup> / 0.20-2.5 mm <sup>2</sup>
Stripping length	7 mm
Conductor cross section AWG/kcmil	24 to 12
Screw	M3
Min / Max Torque	0.50 Nm / 0.60 Nm [4.4 Lbf-In / 5.3 Lbf-In]
Operating temperature	-40 °C ÷ (depends on the derating curve)

## 4 MEMORY MAP

The ST0HS has the following memory map, it's made of 16 bits locations (1 word) called "REGISTERS". Because each REGISTER is composed by 16 bits, its maximum value will be 65535.

Max. current for each string		25 A	45 A	60 A
MODBUS Register	TYPE	DESCRIPTION		
30001	RO	Inputs		
30002	RO	Inst Curr Str_01 (mA [0...25000])	Inst Curr Str_01 (mA [0...45000])	Inst Curr Str_01 (mA [0...60000])
30003	RO	Inst Curr Str_02 (mA [0...25000])	Inst Curr Str_02 (mA [0...45000])	Inst Curr Str_02 (mA [0...60000])
30004	RO	Inst Curr Str_03 (mA [0...25000])	Inst Curr Str_03 (mA [0...45000])	Inst Curr Str_03 (mA [0...60000])
30005	RO	Inst Curr Str_04 (mA [0...25000])	Inst Curr Str_04 (mA [0...45000])	Inst Curr Str_04 (mA [0...60000])
30006	RO	Inst Curr Str_05 (mA [0...25000])	Inst Curr Str_05 (mA [0...45000])	Inst Curr Str_05 (mA [0...60000])
30007	RO	Inst Curr Str_06 (mA [0...25000])	Inst Curr Str_06 (mA [0...45000])	Inst Curr Str_06 (mA [0...60000])
30008	RO	Inst Curr Str_07 (mA [0...25000])	Inst Curr Str_07 (mA [0...45000])	Inst Curr Str_07 (mA [0...60000])
30009	RO	Inst Curr Str_08 (mA [0...25000])	Inst Curr Str_08 (mA [0...45000])	Inst Curr Str_08 (mA [0...60000])
30010	RO	Inst Curr Str_09 (mA [0...25000])	Inst Curr Str_09 (mA [0...45000])	Inst Curr Str_09 (mA [0...60000])
30011	RO	Inst Curr Str_10 (mA [0...25000])	Inst Curr Str_10 (mA [0...45000])	Inst Curr Str_10 (mA [0...60000])
30012	RO	Inst Curr Str_11 (mA [0...25000])	Inst Curr Str_11 (mA [0...45000])	Inst Curr Str_11 (mA [0...60000])
30013	RO	Inst Curr Str_12 (mA [0...25000])	Inst Curr Str_12 (mA [0...45000])	Inst Curr Str_12 (mA [0...60000])
30014	RO	Inst Curr Str_13 (mA [0...25000])	Inst Curr Str_13 (mA [0...45000])	Inst Curr Str_13 (mA [0...60000])
30015	RO	Inst Curr Str_14 (mA [0...25000])	Inst Curr Str_14 (mA [0...45000])	Inst Curr Str_14 (mA [0...60000])
30016	RO	Inst Curr Str_15 (mA [0...25000])	Inst Curr Str_15 (mA [0...45000])	Inst Curr Str_15 (mA [0...60000])
30017	RO	Inst Curr Str_16 (mA [0...25000])	Inst Curr Str_16 (mA [0...45000])	Inst Curr Str_16 (mA [0...60000])
...				
30034	RO	Fuse status (Ch01...Ch16)		
...				
30040	RO	Inst V_1 (V [0...1500])		
...				
30044	RO	Inst T_1 (°C [-20...+120]) - PT100		
30045	RO	Inst T_2 (°C [-22,0...+83,0]) - on board		
...				
30047	RO	Sum of all currents (A / 10)		
30048	RO	Power (W) - LSW		
30049	RO	Power (W) - MSW		

...

30052	RO	RMS Curr Str_01 (average value on last 6 seconds)
30053	RO	RMS Curr Str_02 (average value on last 6 seconds)
30054	RO	RMS Curr Str_03 (average value on last 6 seconds)
30055	RO	RMS Curr Str_04 (average value on last 6 seconds)
30056	RO	RMS Curr Str_05 (average value on last 6 seconds)
30057	RO	RMS Curr Str_06 (average value on last 6 seconds)
30058	RO	RMS Curr Str_07 (average value on last 6 seconds)
30059	RO	RMS Curr Str_08 (average value on last 6 seconds)
30060	RO	RMS Curr Str_09 (average value on last 6 seconds)
30061	RO	RMS Curr Str_10 (average value on last 6 seconds)
30062	RO	RMS Curr Str_11 (average value on last 6 seconds)
30063	RO	RMS Curr Str_12 (average value on last 6 seconds)
30064	RO	RMS Curr Str_13 (average value on last 6 seconds)
30065	RO	RMS Curr Str_14 (average value on last 6 seconds)
30066	RO	RMS Curr Str_15 (average value on last 6 seconds)
30067	RO	RMS Curr Str_16 (average value on last 6 seconds)

...

30084	RO	RMS V_1 (V [0...1500]) (average value on last 6 seconds)
-------	----	--

...

30088	RO	RMS T_1 (°C [-20...+120]) (average value on last 6 seconds)
30089	RO	RMS T_2 (°C [-22,0...+83,0]) (average value on last 6 seconds)

...

30091	RO	RMS Sum of all currents (A / 10) (average value on last 6 seconds)
30092	RO	RMS Power (W) - LSW (average value on last 6 seconds)
30093	RO	RMS Power (W) - MSW (average value on last 6 seconds)

...

30201	RO	Firmware Version	READ ONLY
30202	RO	SMU Model	READ ONLY
30203	RO	Channels Number	READ ONLY
30204	RO	Shunt Type	READ ONLY
30205	RO	End Scale	READ ONLY
30206	RO	Reserved for Future Use	RFU
30207	RO	Reserved for Future Use	RFU
30208	RO	Reserved for Future Use	RFU
30209	RO	Reserved for Future Use	RFU
30210	RO	Reserved for Future Use	RFU
30211	RO	Unique ID code [0]	READ ONLY
30212	RO	Unique ID code [1]	READ ONLY
30213	RO	Unique ID code [2]	READ ONLY
30214	RO	Unique ID code [3]	READ ONLY
30215	RO	Unique ID code [4]	READ ONLY
30216	RO	Unique ID code [5]	READ ONLY

...

40001	RW	Set up PARITY mode : 1 = None ; 2 = Even ; 3 = Odd
-------	----	--

40002	RW	Offset Curr Str_01
40003	RW	Offset Curr Str_02
40004	RW	Offset Curr Str_03
40005	RW	Offset Curr Str_04
40006	RW	Offset Curr Str_05
40007	RW	Offset Curr Str_06
40008	RW	Offset Curr Str_07
40009	RW	Offset Curr Str_08
40010	RW	Offset Curr Str_09
40011	RW	Offset Curr Str_10
40012	RW	Offset Curr Str_11
40013	RW	Offset Curr Str_12
40014	RW	Offset Curr Str_13
40015	RW	Offset Curr Str_14
40016	RW	Offset Curr Str_15
40017	RW	Offset Curr Str_16

...

40034	RW	Answer Delay (msec)
40035	RW	Time Com Active (1/10 sec.)
40036	RW	Parity (1 = None, 2 = Even, 3 = Odd) = 40001
40037	RW	Fuse Threshold
40038	RW	Reversing the sign of current (Ch01...Ch16)

...

40040	RW	Offset V_1
-------	----	------------

...

40044	RW	Offset T_1
40045	RW	Offset T_2

...

40047	RW	Minimum Current (Default = 1 A)
40048	RW	Minimum Voltage (Default = 100 V)

...

40052	RW	Gain Curr Str_1
40053	RW	Gain Curr Str_2
40054	RW	Gain Curr Str_3
40055	RW	Gain Curr Str_4
40056	RW	Gain Curr Str_5
40057	RW	Gain Curr Str_6
40058	RW	Gain Curr Str_7
40059	RW	Gain Curr Str_8
40060	RW	Gain Curr Str_9
40061	RW	Gain Curr Str_10
40062	RW	Gain Curr Str_11
40063	RW	Gain Curr Str_12
40064	RW	Gain Curr Str_13
40065	RW	Gain Curr Str_14

40066	RW	Gain Curr Str_15	
40067	RW	Gain Curr Str_16	
...			
40090	RW	Gain V_1	
...			
40094	RW	Gain T_1	
40095	RW	Gain T_2	
...			
40101	RW	User Memory 01	
40102	RW	User Memory 02	
40103	RW	User Memory 03	
40104	RW	User Memory 04	
40105	RW	User Memory 05	
40106	RW	User Memory 06	
40107	RW	User Memory 07	
40108	RW	User Memory 08	
...			
40201	RO	Shunt Type (= 30204)	READ ONLY
40202	RO	SMU Model (= 30202)	READ ONLY
40203	RO	Firmware Version (= 30201)	READ ONLY
40204	RO	Channels Number (= 30203)	READ ONLY
40205	RO	End Scale (= 30205)	READ ONLY
40206	RO	Reserved for Future Use	RFU
40207	RO	Reserved for Future Use	RFU
40208	RO	Reserved for Future Use	RFU
40209	RO	Reserved for Future Use	RFU
40210	RO	Unique ID code [0] (= 30211)	READ ONLY
40211	RO	Unique ID code [1] (= 30212)	READ ONLY
40212	RO	Unique ID code [2] (= 30213)	READ ONLY
40213	RO	Unique ID code [3] (= 30214)	READ ONLY
40214	RO	Unique ID code [4] (= 30215)	READ ONLY
40215	RO	Unique ID code [5] (= 30216)	READ ONLY

#### NOTES

Each “Offset Register” has 0 as default value. Each “Gain Register” has 1000 as default value. *The value 1000 means x1*, in this way, for example, is possible write 500 and make the value *x0,5*.

## 4.1 Memory Map Description

**30001** : the first two bits of these register are the mirror status of the two digital inputs on the board (INP0, INP1 on CN4). So if 30001 = 0000000000000011 [bin] = 3 [dec], it means that all the two digital inputs are ON.

**30002 ... 30017** : these registers contains the current value of the current reading on each channel. It is in mA

**30034** : the sixteen bits of 30034 show if each channel current reading is under 200 mA or not. This threshold represent the fuse status.

**30040 ... 30049** : these registers show the value of some readings as the temperatures (T1 and T2), voltage reading (on connector CN3) etc...

**30052 ... 30067** : these registers contains the average value on last 6 seconds of the current reading. Obviously these values are more stable than the instantaneous values show in registers 30002 ... 30017

**40001** : through this register is possible set the communication parity. The default value is zero, so "no parity"

**40002 ... 40017** : these are the offset registers. These registers (whose default value is 0) allow to add a constant value to the current reading. This allow to adjust a possible reading error. For example if 30002 show 2300 (it means that channel CH1 read 2,3A), writing 40002 = 200 the new value of the reading will be 30002 = 2500 (it means that channel CH1 read 2,5A).

**40052 ... 40067** : these are the gain registers. These registers (whose default value is 1000) allow to multiply a constant value to the current reading. This allow to adjust a possible reading error. For example if 30002 show 2300 (it means that channel CH1 read 2,3A), writing 40052 = 1500 the new value of the reading will be 30002 = 3450 (it means that channel CH1 read 3,45A,  $2300 \times 1,5 = 3450$ ).

**40101 ... 40108** : these are 8 registers available to the user. They can contain data useful to the customer, for example a different progressive number for each board.

**40201** : Shunt Type (= 30204) - READ ONLY

**40202** : SMU Model (= 30202) - READ ONLY

**40203** : Firmware Version (= 30201) - READ ONLY

**40204** : Channels Number (= 30203) - READ ONLY

**40205** : End Scale (= 30205) - READ ONLY

**40206 ... 40209** : Not Used - Reserved for Future Use (RFU)

**40210 ... 40215** : **Unique device ID register (96 bits)** (organized in six 16 bit words) that is unique for any board. (= 30211 ... 30216) - READ ONLY

The unique device identifier is ideally suited :

- for use as serial numbers (for example string serial numbers or other end applications).
- for use as part of the security keys in order to increase the security.

The 96-bit unique device identifier provides a reference number which is unique for any device and in any context. These bits cannot be altered by the user. The code is composed of the following parts :

**UID [31:00]** : X and Y coordinates on the wafer expressed in BCD format  
**UID [39:32]** : **WAF\_NUM [07:00]** > Wafer number (8-bit unsigned number)  
**UID [63:40]** : **LOT\_NUM [23:00]** > Lot number (ASCII encoded)  
**UID [95:64]** : **LOT\_NUM [55:24]** > Lot number (ASCII encoded)

## 4.2 Reading speed

The analogic values of the currents, the voltage and the temperature are read simultaneously 10 times per second (100 msec scan time), then are inserted in it's own FIFO (a FIFO for each analogic value), 16 values deep. The value read from the board is the mobile mean of the FIFO, so it is the mean of the last 16 read values (1.6 sec), updated every 100 msec. This is done to make the analogic readout more stable and it is a good compromise between speed and readout stability.

The instant values of the analogic are temporary stored into a hidden memory area, not accessible to the COM port.

The update time depend on the speed polling time of the SCADA and the communication baud rate.

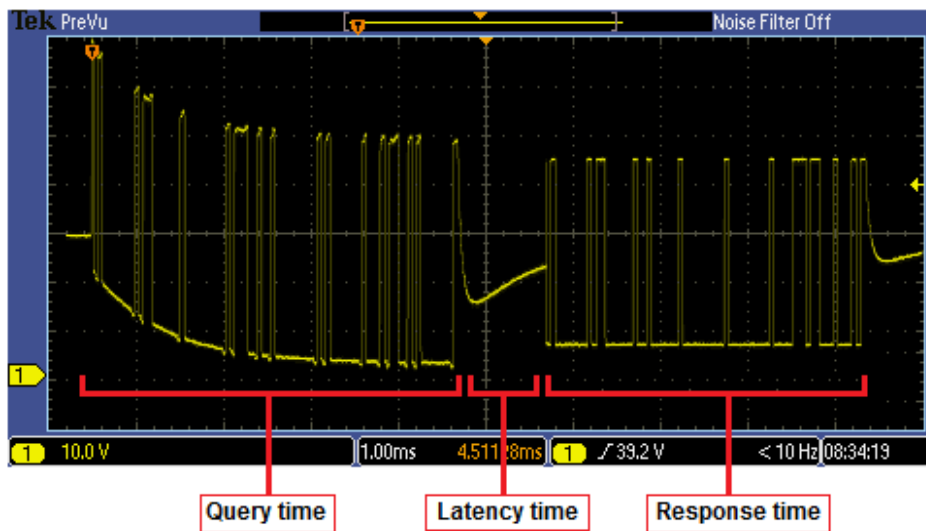
The total time requested to read the board via com port is splitted into three times: *the query time, the latency time and the response time.*

The query time is the time needed by the SCADA to send the MODBUS query packet and depends on the baud rate (about 4 msec at 19200 baud rate).

The latency time is the time need by the board to process the query and prepare the answer, it is between 1 and 2 msec and it is independent on the baud rate.

The response time is the time needed byte the board to send the MODBUS answer packet, it's depend on the baud rate and on the number of registers read at a time, for a single register read at 19200 baud it is about 4 msec.

So at 19200 baud rate the total time needed to read a single register is about 10 msec., you have to add 1 msec every other register read, for example to read 16 registers with a single query will take  $10 \text{ msec} + 15 * 1 \text{ msec} = 25 \text{ msec}$ .



## 5 ORDER CODES

Here below the order codes :

CODE	DESCRIPTION
STOHS 1625\NC	Device with support for din rail bar
STOHS 1625\NK	Device without support for din rail bar
STOHS 1645\NC	Device with support for din rail bar
STOHS 1645\NK	Device without support for din rail bar
STOHS 1660\NC	Device with support for din rail bar
STOHS 1660\NK	Device without support for din rail bar



## 6 CONTACTS

### GENERAL

Tel: 059 469978  
website: [www.kernelgroup.it](http://www.kernelgroup.it)  
e-mail: [info@kernelgroup.it](mailto:info@kernelgroup.it)

### COMMERCIAL

Sig.ra Linda Mammi  
Tel: 059 469978 Int. 207  
e-mail: [sales@kernelgroup.it](mailto:sales@kernelgroup.it)  
Skype: mammi.kernel

### ADMINISTRATION

Sig.ra Paola Morandi  
Tel: 059 469978 Int. 201  
e-mail: [amministrazione@kernelgroup.it](mailto:amministrazione@kernelgroup.it)  
Skype: morandi.kernel

### PURCHASING and PRODUCTION

Sig. Stefano Catuogno  
Tel: 059 469978 Int. 204  
e-mail: [produzione@kernelgroup.it](mailto:produzione@kernelgroup.it)  
Skype: catuogno.kernel

### TECHNICAL OFFICE

Sig. Alessandro Muratori  
Tel: 059 469978 Int. 205  
e-mail: [alessandro.muratori@kernelgroup.it](mailto:alessandro.muratori@kernelgroup.it)  
Skype: muratori.kernel

Support  
Tel: 059 469978 Int. 209  
e-mail: [support@kernelgroup.it](mailto:support@kernelgroup.it)  
Skype: support.kernel

Sig. Morisi Luca  
e-mail: [luca.morisi@kernelgroup.it](mailto:luca.morisi@kernelgroup.it)  
Skype: morisi.kernel

Kernel Sistemi  
Kernel Sistemi s.r.l. , via Vignolese n. 1138  
41126 Modena - ITALY  
Tel. 059 469 978 - Fax 059 468 874  
[www.kernelgroup.it](http://www.kernelgroup.it)