

ST0HS 02100 / 02200 / 02300

ST0HS 04100 / 04200 / 04300

ST0HS 06100 / 06200 / 06300

WR DATA SHEET



rev. 2.9
30 October 2023

Kernel Sistemi
Kernel Sistemi s.r.l. , via Vignolese n. 1138
41126 Modena - ITALY
Tel. 059 469 978 - Fax 059 468 874
www.kernelgroup.it

INDEX

- 1 SAFETY..... 3**
- 2 GENERAL NOTES.....4**
 - 2.1 Introduction.....4
- 3 HARDWARE CHARACTERISTICS.....6**
 - 3.1 Hardware Characteristics.....6
 - 3.2 Board Dimensions.....7
 - 3.3 Connectors.....7
 - 3.4 Connector : CN1.....7
 - 3.5 Connector : CN3.....8
 - 3.6 Connector : CN4.....8
 - 3.7 Positive Current Values.....8
 - 3.8 Dip-switches.....9
 - 3.9 Memory Protection.....9
 - 3.10 Fixing system of the naked board (without supporting box).....9
 - 3.11 Status led.....9
 - 3.12 Informations about wires and connectors.....10
 - 3.13 Connection Type : ST0HS 0xy00Nx WRAD.....11
- 4 MEMORY MAP..... 11**
 - 4.1 Memory Map Description.....14
- 5 ORDER CODES..... 15**
- 6 CONTACTS..... 16**


Attention

*The information contained in this document may change without notice.
Therefore, please check our website (www.kernelgroup.it) regularly
and always download the latest version available.*


1 SAFETY

This product is a String Monitoring System (SMU) and its application is the monitoring of photovoltaic systems. From an electrical point of view, by their nature, photovoltaic systems operate in direct current and with very high voltage and current values.





Safety : General Conditions

	<p>DANGER</p>	<ul style="list-style-type: none"> - This product is therefore designed to operate with direct current voltage values up to 1500 VDC. This voltage value is potentially fatal. Voltage values between 24 VDC and 1500 VDC are therefore present on this product. - All transducers connected to the auxiliary input connectors must be isolated at 1500 VDC. These transducers are PT100 and, in the case of the ST2N and ST2 series, also transducers with 0/10 VDC and 0/20 mA output (typically anemometers)
---	----------------------	---

Safety : Installation and replacement precautions

	<p>DANGER</p>	<ul style="list-style-type: none"> - The installation and / or replacement of this product must take place in absolute safety, therefore it is necessary to proceed with the installation and / or replacement of this product which is housed inside the field panel after disconnecting the power and dangerous voltages from solar panels. - In any case, any intervention involving the handling of the SMU must be carried out by skilled and trained technicians equipped with insulation gloves designed for voltage values up to 1500 VDC and after disconnecting any voltage and current from the solar panels.
--	----------------------	--

Important Safety Instructions

	<p>DANGER</p>	<ul style="list-style-type: none"> - Contact with wiring terminals inside the device can cause death by electric shock! - Before to operate inside cards with tester, or with other measurement equipment, it is mandatory TO OPEN fuses and other components that can bring high level voltage inside cards.
	<p>WARNING</p>	<ul style="list-style-type: none"> - Please check all input and output wire terminals in case of high DC voltage and make sure there is no voltage before electrical connection to avoid electric shock! - Do not touch the live parts of the input and output sides to avoid electric shock when checking or maintaining the device. - All installation and wiring connections must be made by qualified technical personnel only.
	<p>CAUTION</p>	<ul style="list-style-type: none"> - All wiring and operation must comply with the requirements of the relevant local standards of the device. - Check the device and make sure there are no problems with the installation before putting it into operation! - Connect the wires to the positive and negative marked positions of the device to avoid the risk of short circuit, ensure personal safety and keep the device in normal operation.
	<p>IMPORTANT</p>	<p style="text-align: center;">Reference to current standards</p> <p>For any other consideration, safety precaution, it is absolutely necessary, before carrying out any installation and / or replacement of the SMU, to refer to the regulations in force regarding the construction of combiner boxes.</p>

2 GENERAL NOTES

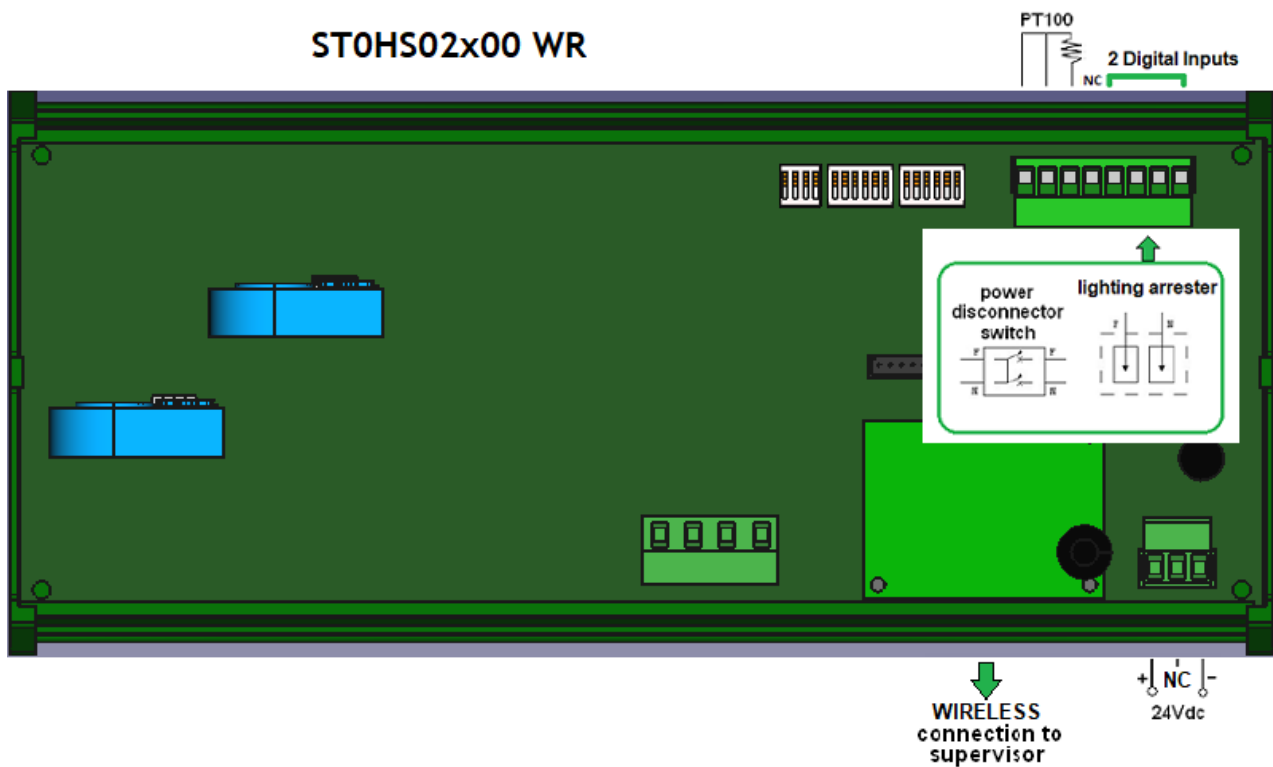
2.1 Introduction

The ST0HS module to string control, allow to monitoring current and voltage generated by photovoltaic panels strings. When the current will be measured goes through a sensor, the voltage will be measured at the output end.

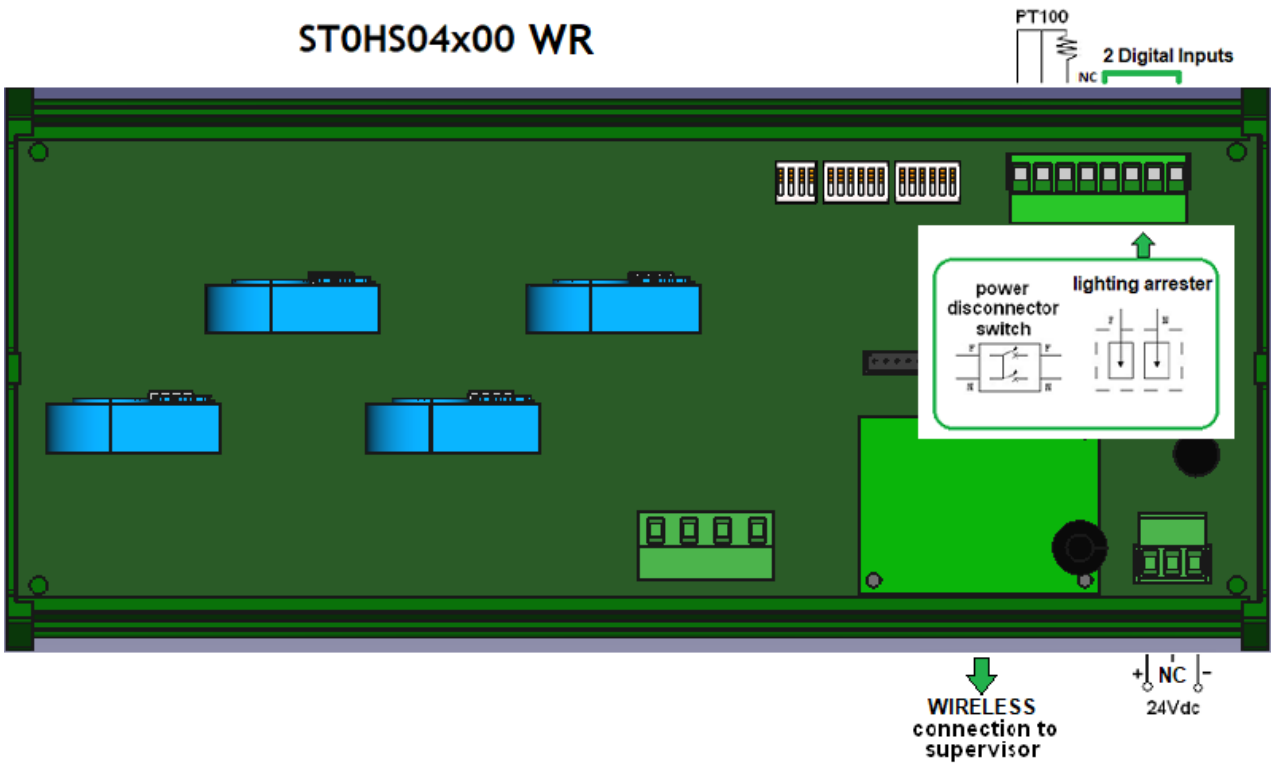
The ST0HS board also provides two digital inputs and an on-board sensor which allow to measure the temperature. The digital inputs allows to detect the arrester state and the power disconnecter switch state.

Is possible communicate with the ST0HS board through a WIRELESS connection. Using **Modbus RTU protocol**, or with **IEC 60870-5-101 protocol**, is possible monitoring all the physical quantities measured (temperature, currents, voltage). Moreover is possible keep monitored the fuses status on the string box, through the reading of an internal register on memory map (30034).

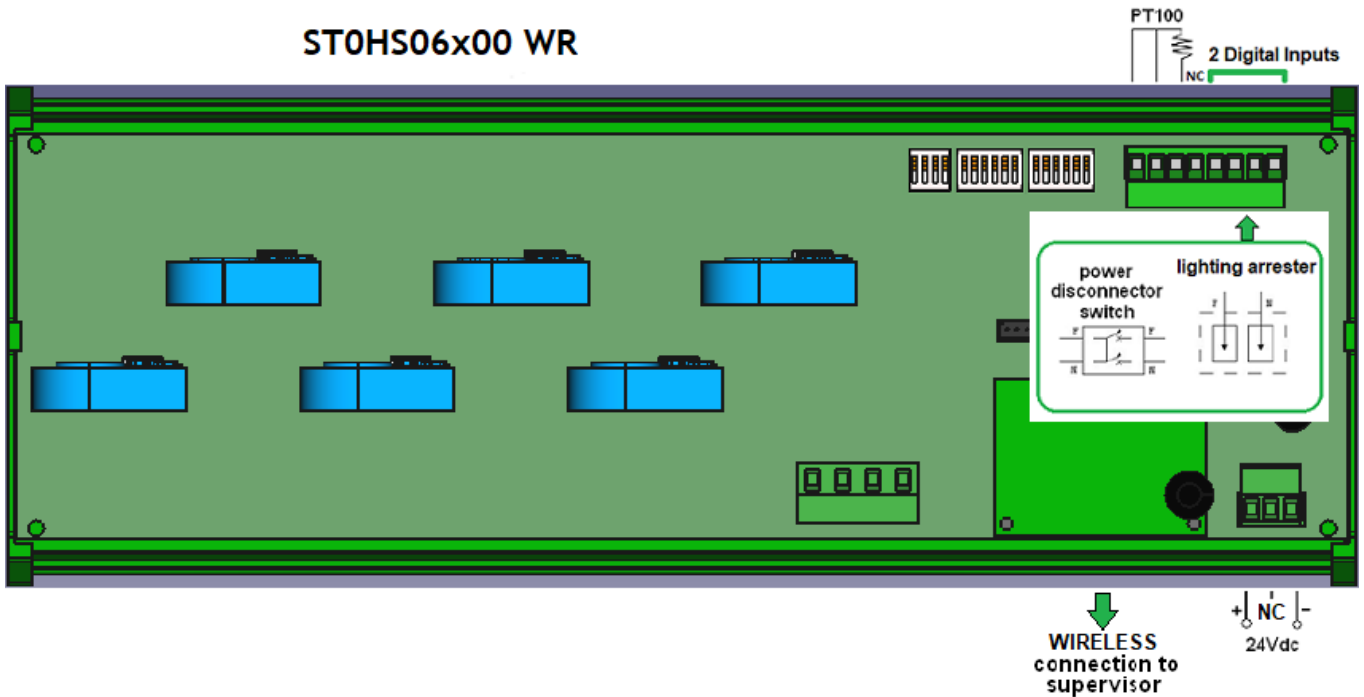
In the following image there are the “ST0HS string controller” with all the wiring. Obviously isn't necessary connect all the specified devices, they are indicated to give a connection general idea.



ST0HS04x00 WR



ST0HS06x00 WR



3 HARDWARE CHARACTERISTICS

3.1 Hardware Characteristics

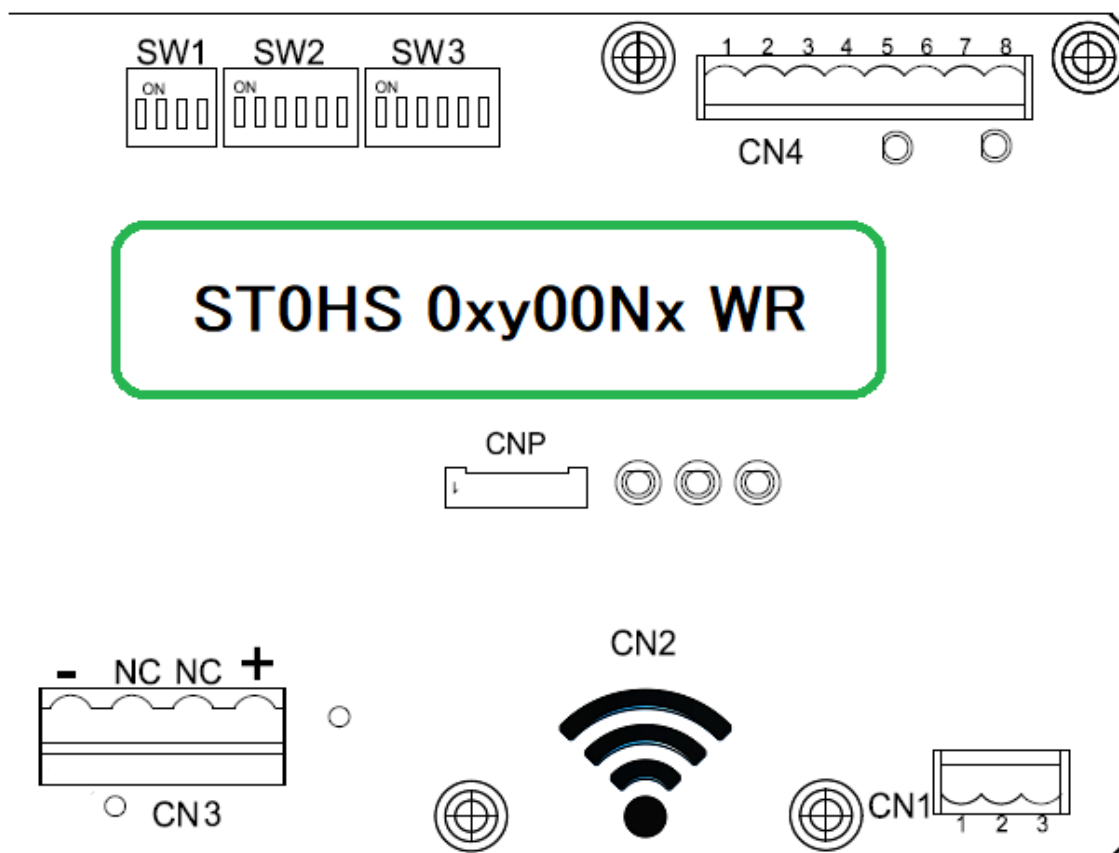
ELECTRIC CHARACTERISTICS			
Microprocessor	STM32F303		
Power supply	24 Vdc		
Power consumption (W)	< 2 W		
Maximum number of monitored strings	2	4	6
Maximum common voltage	1500 V with precision better than 0,5 %		
Max. current for each string	100 A	200 A	300 A
Range of measurement	0 ... 200 / 400 / 600 A	0 ... 400 / 800 / 1200 A	0 ... 600 / 1200 / 1800 A
Current reading accuracy	Better than 0,5 %		
Current reading precision	Better than 1,5 %		
Communication	Wireless (Modbus RTU or IEC 60870-5-101)		
Digital Inputs	2 digital inputs 24 Vdc PNP		
Analog inputs	1 input PT100 + 1 on board temperature sensor to know the temperature inside the string box panel		
Working temperature's range	From -40 to +85 °C		
Working atmosphere	Without corrosive gas		
ID Address	Defined by dip-switches		
Size (naked)	279,7 x 108 mm	279,7 x 108 mm	338 x 108 mm
Size (with support for din rail bar)	283,7 x 128 mm	283,7 x 128 mm	342 x 128 mm
Working humidity	Lower 95 % without condensation		
MTBF	> 500000 hours		
Maximum Operating Altitude	4000 meters		
Minimum Current	1 A (programmable)	from Firmware Version : 1.31 forward	
Minimum Voltage	100 V (programmable)		

N°	Type of resources	Symbol	Terminal Block
1	Sensor on board to read the temperature (precision better than 1,5 %)	T2	On board
1	WIRELESS Connection. This connection is used to connect many "STOHS string controllers" into a network or to a PC. Is possible select the communication characteristics with some dip-switches on board (node address, baud rate, parity, and communication protocol, that may be Modbus RTU or IEC 60870-5-101).	WIRELESS	CN2
1	PT100 input (from -20 to +120 °C) to temperature reading, with precision better than 1,5 %	T1	CN4
2	PNP digital inputs 24 Vdc, typically used to arrester connection, switches or other devices	INP0, INP1	CN4
2 4 6	This board can manage the current reading of 2/4/6 strings until 100 A / 200 A with typical precision of 1.5 % and a temperature between -20 and +80 °C	Ch1...Ch2 Ch1...Ch4 Ch1...Ch6	Hall Sensors

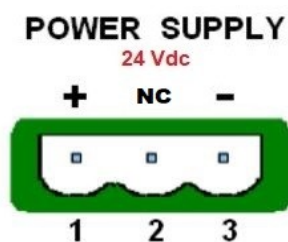
3.2 Board Dimensions

Maximum number of monitored strings	2	4	6
Size (naked)	279,7 x 108 mm	279,7 x 108 mm	338 x 108 mm
Size (with support for din rail bar)	283,7 x 128 mm	283,7 x 128 mm	342 x 128 mm

3.3 Connectors

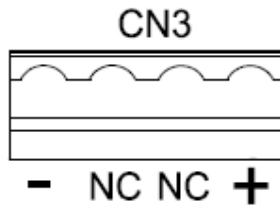


3.4 Connector : CN1



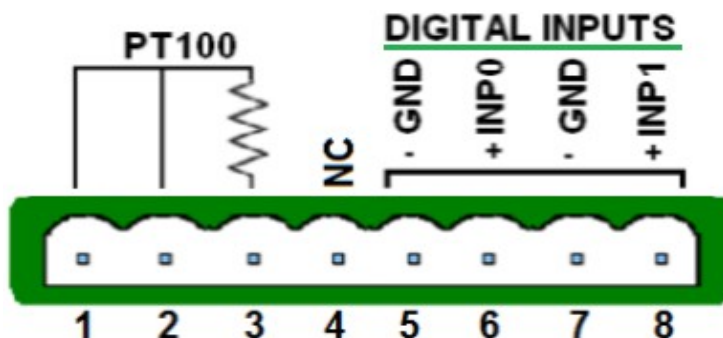
3.5 Connector : CN3

To read the voltages, is necessary connect the negative cable to pin “-” and the positive cable to the pin “+” of connector CN3. You’ll find the voltage value on 30040 (instant value) or 30084 (average value on last 6 seconds).



3.6 Connector : CN4

To know when a switch (for example the general one) is ON or OFF, there are two digital inputs PNP 24 Vdc on terminal block CN4. Each digital input status is indicated also by a led status on board. You need to use the pins 5, 6, 7 and 8. Inside the memory map the bits from 0 to 1 of register 30001 are the digital input status.



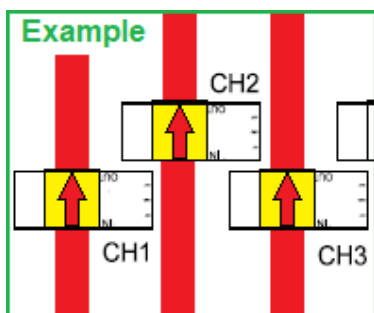
Is possible connect one PT100 to read the external temperature. The PT100 could be 2 or 3 wires, it will be connected as shown in the figure above to terminal block CN4. You can find this temperature on register 30044.

3.7 Positive Current Values

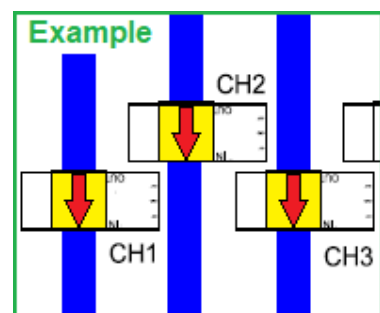
IMPORTANT

To have POSITIVE CURRENT VALUES, you must insert the cables into the Hall sensors in one of the following ways :

IF YOU USE THE "+" [POSITIVE] CABLE
Insert the cable from the BOTTOM to the TOP :



IF YOU USE THE "-" [NEGATIVE] CABLE
Insert the cable from the TOP to the BOTTOM :



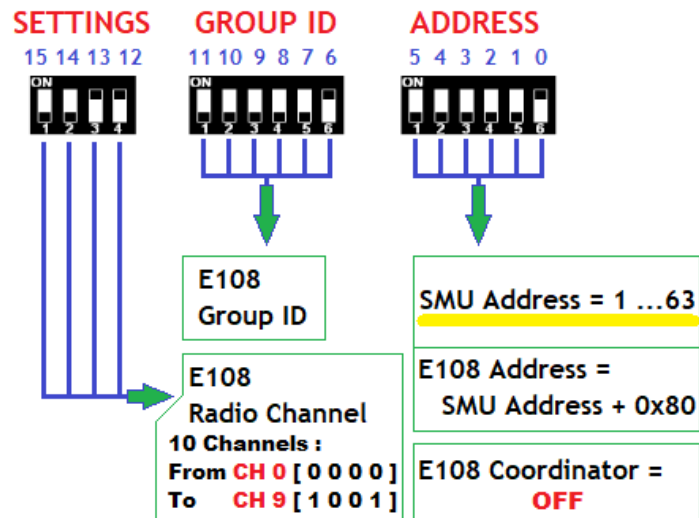
IMPORTANT

3.8 Dip-switches

Node Addressing

At the startup the SMU reads the node address from the DIP switch configuration [01..63] and assume that address. Moreover it configures the radio modem E_108 getting the configuration parameters from the DIP switches positions in this way :

- E_108 address = SMU address + 0x80
- E_108 group ID from the DIP 6 ... 11 (64 groups available)
- E_108 radio channel from the DIP 12 ... 15. There are 10 channels available :
 From : CH 0 [0 0 0 0]
 To : CH 9 [1 0 0 1]
- E_108 coordinator = OFF



Radio Channel and Group ID

Talking as in electronics, these 2 parameters are like 2 multiplexers for the radio network deployment. First one (high priority) is Radio channel. All devices in the same network must have configured the same radio channel. So the radio channel parameters will be in charge of establish a radio network. There will be as much radio networks as different radio channels configured. On a lower priority, there is a possibility to, inside a radio network, make different sub-networks. This different sub-networks, will be defined by the group ID.

IMPORTANT

E108 module always is programmed to 19200 bauds. Don't change any UART parameters in E108.

3.9 Memory Protection

Memory is always protected by writing! In order to enable writing for a limited time (10 minutes), you have to write :

Value : 0x5555 Hex
Modbus Register : 40100

3.10 Fixing system of the naked board (without supporting box)

To fix the naked board (without case) is necessary use plastic spacers with dual clutch. The plastic spacers must be 4x20 mm or 4x25 mm (4 mm is the hole diameter on the board). Look the below picture.



3.11 Status led

On the board there are 3 status led which with their blinking show the board status :

1. **LD 1 = STATUS** : it blinks each second, it means that the board is ready to communicate
2. **LD 2 = RX** : It turns ON when the SMU receives a valid and recognized command from the E_108 module
3. **LD 3 = TX** : It turns ON when the SMU responds to a valid command just received from the E_108 module



IMPORTANT

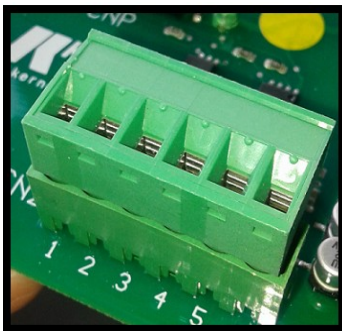
At startup the 3 leds flash rapidly in sequence 3 times.

After that LD 2 and LD 3 HAVE TO BLINK 3 times for 1 sec ON and 1 sec OFF to signal successful connection with module E_108.

3.12 Informations about wires and connectors



CURRENT SENSOR	
Hole diameter	16 mm
Operating temperature	-40°C ÷ +85°C



OTHER CONNECTORS (Power Supply ...)	
Wire Range	2.5 mm ² / 0.34-2.5 mm ²
Wire Strip length	7 - 8 mm
Solid Wire (AWG)	12-24 / 14-22
Screw	M3
Max Torque	0.56 Nm [5.0 Lbf-In]
Operating temperature	-40°C ÷ +115°C

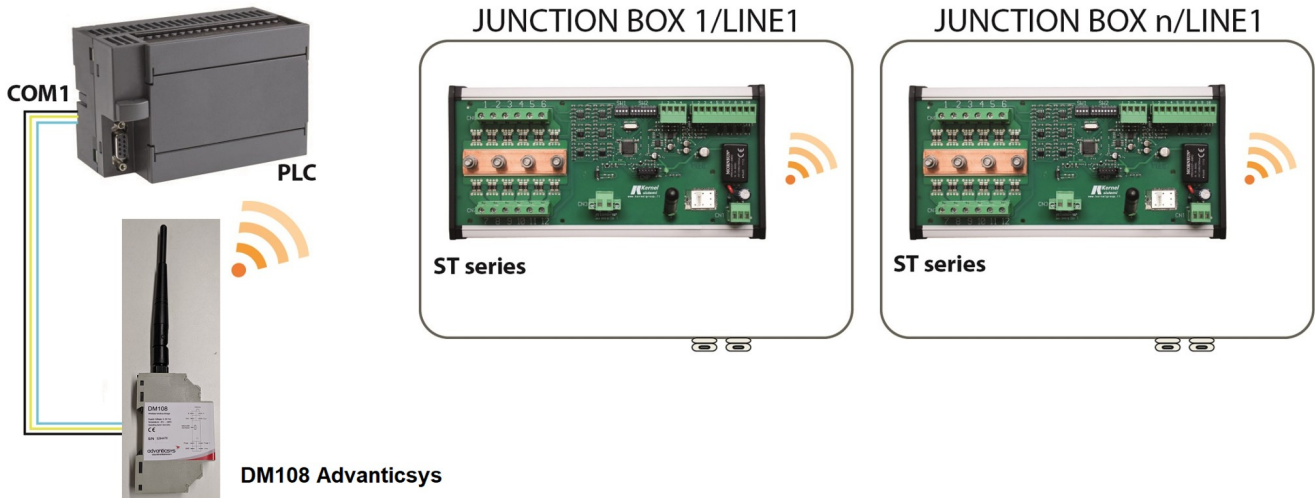


VOLTAGE CONNECTOR	
Wire Section	2.5 mm ² / 0.20-2.5 mm ²
Stripping length	7 mm
Conductor cross section AWG/kcmil	24 to 12
Screw	M3
Min / Max Torque	0.50 Nm / 0.60 Nm [4.4 Lbf-In / 5.3 Lbf-In]
Operating temperature	-40°C ÷ (depends on the derating curve)



3.13 Connection Type : ST0HS 0xy00Nx WRAD

The connection type is schematized here below :



Protocol = Modbus RTU or IEC 60870-5-101

4 MEMORY MAP

The ST0HS has the following memory map, it's made of 16 bits locations (1 word) called "REGISTERS". Because each REGISTER is composed by 16 bits, its maximum value will be 65535.

Max. current for each string		100 A	200 A	300 A
MODBUS Register	TYPE	DESCRIPTION		
30001	RO	Inputs		
30002	RO	Inst Curr Str_01 (A / 10 [0...1000])	Inst Curr Str_01 (A / 10 [0...2000])	Inst Curr Str_01 (A / 10 [0...3000])
30003	RO	Inst Curr Str_02 (A / 10 [0...1000])	Inst Curr Str_02 (A / 10 [0...2000])	Inst Curr Str_02 (A / 10 [0...3000])
30004	RO	Inst Curr Str_03 (A / 10 [0...1000])	Inst Curr Str_03 (A / 10 [0...2000])	Inst Curr Str_03 (A / 10 [0...3000])
30005	RO	Inst Curr Str_04 (A / 10 [0...1000])	Inst Curr Str_04 (A / 10 [0...2000])	Inst Curr Str_04 (A / 10 [0...3000])
30006	RO	Inst Curr Str_05 (A / 10 [0...1000])	Inst Curr Str_05 (A / 10 [0...2000])	Inst Curr Str_05 (A / 10 [0...3000])
30007	RO	Inst Curr Str_06 (A / 10 [0...1000])	Inst Curr Str_06 (A / 10 [0...2000])	Inst Curr Str_06 (A / 10 [0...3000])
...				
30034	RO	Fuse status (Ch01...Ch06)		
...				
30040	RO	Inst V_1 (V [0...1500])		
...				
30044	RO	Inst T_1 (°C [-20...+120]) - PT100		
30045	RO	Inst T_2 (°C [-22,0...+83,0]) - on board		
...				
30047	RO	Sum of all currents (A * 10)		

30048	RO	Power (KW / 10) - LSW
30049	RO	Power (KW / 10) - MSW

...

30052	RO	RMS Curr Str_01 (average value on last 6 seconds)
30053	RO	RMS Curr Str_02 (average value on last 6 seconds)
30054	RO	RMS Curr Str_03 (average value on last 6 seconds)
30055	RO	RMS Curr Str_04 (average value on last 6 seconds)
30056	RO	RMS Curr Str_05 (average value on last 6 seconds)
30057	RO	RMS Curr Str_06 (average value on last 6 seconds)

...

30084	RO	RMS V_1 (V [0...1500]) (average value on last 6 seconds)
-------	----	--

...

30088	RO	RMS T_1 (°C [-20...+120]) (average value on last 6 seconds)
30089	RO	RMS T_2 (°C [-22,0...+83,0]) (average value on last 6 seconds)

...

30091	RO	RMS Sum of all currents (A * 10) (average value on last 6 seconds)
30092	RO	RMS Power (KW / 10) - LSW (average value on last 6 seconds)
30093	RO	RMS Power (KW / 10) - MSW (average value on last 6 seconds)

...

30201	RO	Firmware Version	READ ONLY
30202	RO	SMU Model	READ ONLY
30203	RO	Channels Number	READ ONLY
30204	RO	Shunt Type	READ ONLY
30205	RO	End Scale	READ ONLY
30206	RO	Reserved for Future Use	RFU
30207	RO	Reserved for Future Use	RFU
30208	RO	Reserved for Future Use	RFU
30209	RO	Reserved for Future Use	RFU
30210	RO	Reserved for Future Use	RFU
30211	RO	Unique ID code [0]	READ ONLY
30212	RO	Unique ID code [1]	READ ONLY
30213	RO	Unique ID code [2]	READ ONLY
30214	RO	Unique ID code [3]	READ ONLY
30215	RO	Unique ID code [4]	READ ONLY
30216	RO	Unique ID code [5]	READ ONLY

...

40001	RW	Set up PARITY mode : 1 = None ; 2 = Even ; 3 = Odd
40002	RW	Offset Curr Str_01
40003	RW	Offset Curr Str_02
40004	RW	Offset Curr Str_03
40005	RW	Offset Curr Str_04
40006	RW	Offset Curr Str_05
40007	RW	Offset Curr Str_06

...

40034	RW	Answer Delay (msec)
-------	----	---------------------

40035	RW	Time Com Active (1/10 sec.)
40036	RW	Parity (1 = None, 2 = Even, 3 = Odd) = 40001
40037	RW	Fuse Threshold
40038	RW	Reversing the sign of current (Ch01...Ch06)

...

40040	RW	Offset V_1
-------	----	------------

...

40044	RW	Offset T_1
40045	RW	Offset T_2

...

40047	RW	Minimum Current (Default = 1 A)
40048	RW	Minimum Voltage (Default = 100 V)

...

40052	RW	Gain Curr Str_1
40053	RW	Gain Curr Str_2
40054	RW	Gain Curr Str_3
40055	RW	Gain Curr Str_4
40056	RW	Gain Curr Str_5
40057	RW	Gain Curr Str_6

...

40090	RW	Gain V_1
-------	----	----------

...

40094	RW	Gain T_1
40095	RW	Gain T_2

...

40101	RW	User Memory 01
40102	RW	User Memory 02
40103	RW	User Memory 03
40104	RW	User Memory 04
40105	RW	User Memory 05
40106	RW	User Memory 06
40107	RW	User Memory 07
40108	RW	User Memory 08

...

40201	RO	Shunt Type (= 30204)	READ ONLY
40202	RO	SMU Model (= 30202)	READ ONLY
40203	RO	Firmware Version (= 30201)	READ ONLY
40204	RO	Channels Number (= 30203)	READ ONLY
40205	RO	End Scale (= 30205)	READ ONLY
40206	RO	Reserved for Future Use	RFU
40207	RO	Reserved for Future Use	RFU
40208	RO	Reserved for Future Use	RFU
40209	RO	Reserved for Future Use	RFU
40210	RO	Unique ID code [0] (= 30211)	READ ONLY
40211	RO	Unique ID code [1] (= 30212)	READ ONLY

40212	RO	Unique ID code [2] (= 30213)	READ ONLY
40213	RO	Unique ID code [3] (= 30214)	READ ONLY
40214	RO	Unique ID code [4] (= 30215)	READ ONLY
40215	RO	Unique ID code [5] (= 30216)	READ ONLY

NOTES

Each “Offset Register” has 0 as default value. Each “Gain Register” has 1000 as default value. *The value 1000 means x1*, in this way, for example, is possible write 500 and make the value **x0,5**.

4.1 Memory Map Description

30001 : the first two bits of these register are the mirror status of the two digital inputs on the board (INP0, INP1 on CN4). So if 30001 = 0000000000000011 [bin] = 3 [dec], it means that all the two digital inputs are ON.

30002 ... 30007 : these registers contains the current value of the current reading on each channel. It is in “A / 10”. If the read value is 1000 it means that the current is 100,0 A.

30034 : the first six bits of 30034 show if each channel current reading is under 200 mA or not. This threshold represent the fuse status.

30040 ... 30049 : these registers show the value of some readings as the temperatures (T1 and T2), voltage reading (on connector CN3) etc...

30052 ... 30057 : these registers contains the average value on last 6 seconds of the current reading. Obviously these values are more stable than the instantaneous values show in registers 30002 ... 30007

40001 : through this register is possible set the communication parity. The default value is zero, so “no parity”

40002 ... 40007 : these are the offset registers. These registers (whose default value is 0) allow to add a constant value to the current reading. This allow to adjust a possible reading error. For example if 30002 show 230 (it means that channel CH1 read 23,0 A), writing 40002 = 15 the new value of the reading will be 30002 = 245 (it means that channel CH1 read 24,5 A).

40052 ... 40057 : these are the gain registers. These registers (whose default value is 1000) allow to multiply a constant value to the current reading. This allow to adjust a possible reading error. For example if 30002 show 230 (it means that channel CH1 read 23,0 A), writing 40052 = 1500 the new value of the reading will be 30002 = 345 (it means that channel CH1 read 34,5 A, $230 \times 1,5 = 345$).

40101 ... 40108 : these are 8 registers available to the user. They can contain data useful to the customer, for example a different progressive number for each board.

40201 : Shunt Type (= 30204) - READ ONLY

40202 : SMU Model (= 30202) - READ ONLY

40203 : Firmware Version (= 30201) - READ ONLY

40204 : Channels Number (= 30203) - READ ONLY

40205 : End Scale (= 30205) - READ ONLY

40206 ... 40209 : Not Used - Reserved for Future Use (RFU)

40210 ... 40215 : **Unique device ID register (96 bits)** (organized in six 16 bit words) that is unique for any board. (= 30211 ... 30216) - READ ONLY

The unique device identifier is ideally suited :

- for use as serial numbers (for example string serial numbers or other end applications).
- for use as part of the security keys in order to increase the security.

The 96-bit unique device identifier provides a reference number which is unique for any device and in any context. These bits cannot be altered by the user. The code is composed of the following parts :

UID [31:00] : X and Y coordinates on the wafer expressed in BCD format
 UID [39:32] : WAF_NUM [07:00] > Wafer number (8-bit unsigned number)
 UID [63:40] : LOT_NUM [23:00] > Lot number (ASCII encoded)
 UID [95:64] : LOT_NUM [55:24] > Lot number (ASCII encoded)

5 ORDER CODES

Here below the order codes :

CODE			WIRELESS	DESCRIPTION
ST0HS0x100NC / WR	ST0HS0x200NC / WR	ST0HS0x300NC / WR	Wireless Option	Device with support for din rail bar
ST0HS0x100NK / WR	ST0HS0x200NK / WR	ST0HS0x300NK / WR	Wireless Option	Device without support for din rail bar
ST0HS0x100NC / WRAD	ST0HS0x200NC / WRAD	ST0HS0x300NC / WRAD	Wireless E-108	Device with support for din rail bar
ST0HS0x100NK / WRAD	ST0HS0x200NK / WRAD	ST0HS0x300NK / WRAD	Wireless E-108	Device without support for din rail bar
ST0HS0x100NC / WRLR01	ST0HS0x200NC / WRLR01	ST0HS0x300NC / WRLR01	Wireless Hoperf 868 MHz	Device with support for din rail bar
ST0HS0x100NK / WRLR01	ST0HS0x200NK / WRLR01	ST0HS0x300NK / WRLR01	Wireless Hoperf 868 MHz	Device without support for din rail bar

X = 2 - 4 - 6

6 CONTACTS

GENERAL

Tel: 059 469978
website: www.kernelgroup.it
e-mail: info@kernelgroup.it

COMMERCIAL

Sig.ra Linda Mammi
Tel: 059 469978 Int. 207
e-mail: sales@kernelgroup.it
Skype: mammi.kernel

ADMINISTRATION

Sig.ra Paola Morandi
Tel: 059 469978 Int. 201
e-mail: amministrazione@kernelgroup.it
Skype: morandi.kernel

PURCHASING and PRODUCTION

Sig. Stefano Catuogno
Tel: 059 469978 Int. 204
e-mail: produzione@kernelgroup.it
Skype: catuogno.kernel

TECHNICAL OFFICE

Sig. Alessandro Muratori
Tel: 059 469978 Int. 205
e-mail: alessandro.muratori@kernelgroup.it
Skype: muratori.kernel

Support
Tel: 059 469978 Int. 209
e-mail: support@kernelgroup.it
Skype: support.kernel

Sig. Morisi Luca
e-mail: luca.morisi@kernelgroup.it
Skype: morisi.kernel

Kernel Sistemi
Kernel Sistemi s.r.l. , via Vignolese n. 1138
41126 Modena - ITALY
Tel. 059 469 978 - Fax 059 468 874
www.kernelgroup.it