



ST0HS0825



DATA SHEET

rev. 1.5
14 September 2018

Kernel Sistemi
Kernel Sistemi s.r.l. , via Vignolese n. 1138
41126 Modena - ITALY
Tel. 059 469 978 - Fax 059 468 874
www.kernelgroup.it

INDEX

1	GENERAL NOTES.....	3
1.1	Introduction.....	3
2	HARDWARE CHARACTERISTICS.....	4
2.1	Hardware Characteristics.....	4
2.2	Board dimensions (without supporting box).....	5
2.3	Connectors.....	5
2.4	Connector : CN1.....	6
2.5	Connector : CN2.....	6
2.6	Connector : CN3.....	6
2.7	Connector : CN4.....	7
2.8	Dip-switches.....	7
2.9	Fixing system of the naked board (without supporting box).....	8
2.10	Status led.....	8
2.11	RS485 Communication cable.....	8
2.12	STOHS0825.....	9
2.13	Informations about wires and connectors.....	9
3	MEMORY MAP.....	10
3.1	Memory Map Description.....	12
3.2	Reading speed.....	13
4	ORDER CODES.....	13
5	CONTACTS.....	14

1 GENERAL NOTES

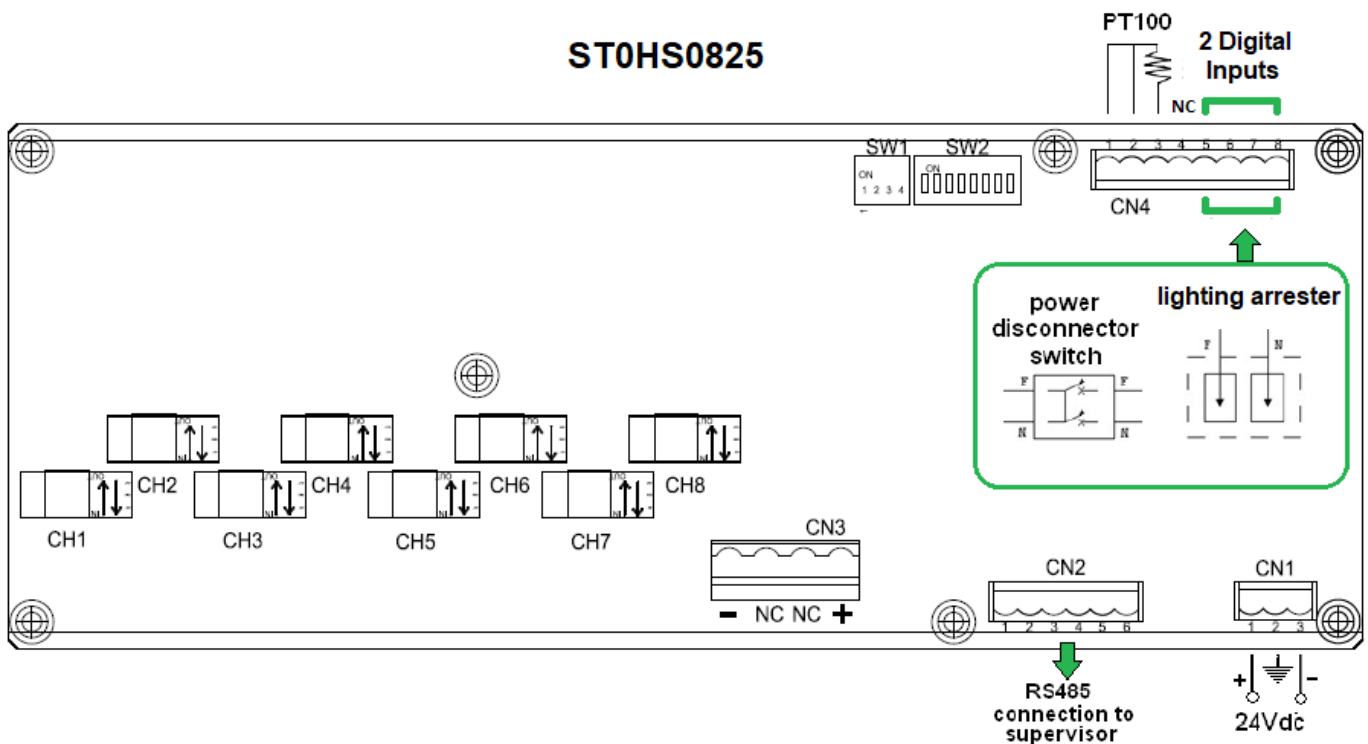
1.1 Introduction

The ST0HS module to string control, allow to monitoring current and voltage generated by photovoltaic panels strings. When the current will be measured goes through a sensor, the voltage will be measured at the output end.

The ST0HS board also provides two digital inputs and an on-board sensor which allow to measure the temperature. The digital inputs allows to detect the arrester state and the power disconnector switch state.

Is possible communicate with the ST0HS board through a RS485 serial port. Using **Modbus RTU protocol**, or with **IEC 60870-5-101 protocol**, is possible monitoring all the physical quantities measured (temperature, currents, voltage). Moreover is possible keep monitored the fuses status on the string box, through the reading of an internal register on memory map (DATA.30034).

In the following image there are the “ST0HS string controller” with all the wiring. Obviously isn't necessary connect all the specified devices, they are indicated to give a connection general idea.

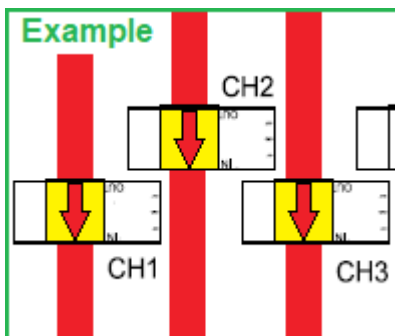


IMPORTANT

To have **POSITIVE CURRENT VALUES**, you must insert the cables into the Hall sensors in one of the following ways :

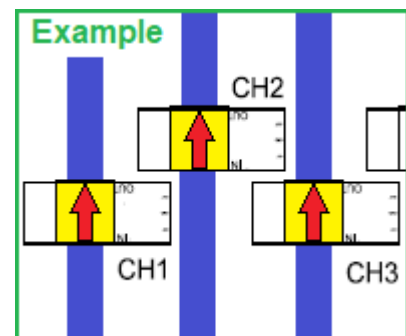
IF YOU USE THE "+" [POSITIVE] CABLE

Insert the cable from the **TOP** to the **BOTTOM** :



IF YOU USE THE "-" [NEGATIVE] CABLE

Insert the cable from the **BOTTOM** to the **TOP** :



IMPORTANT

2 HARDWARE CHARACTERISTICS

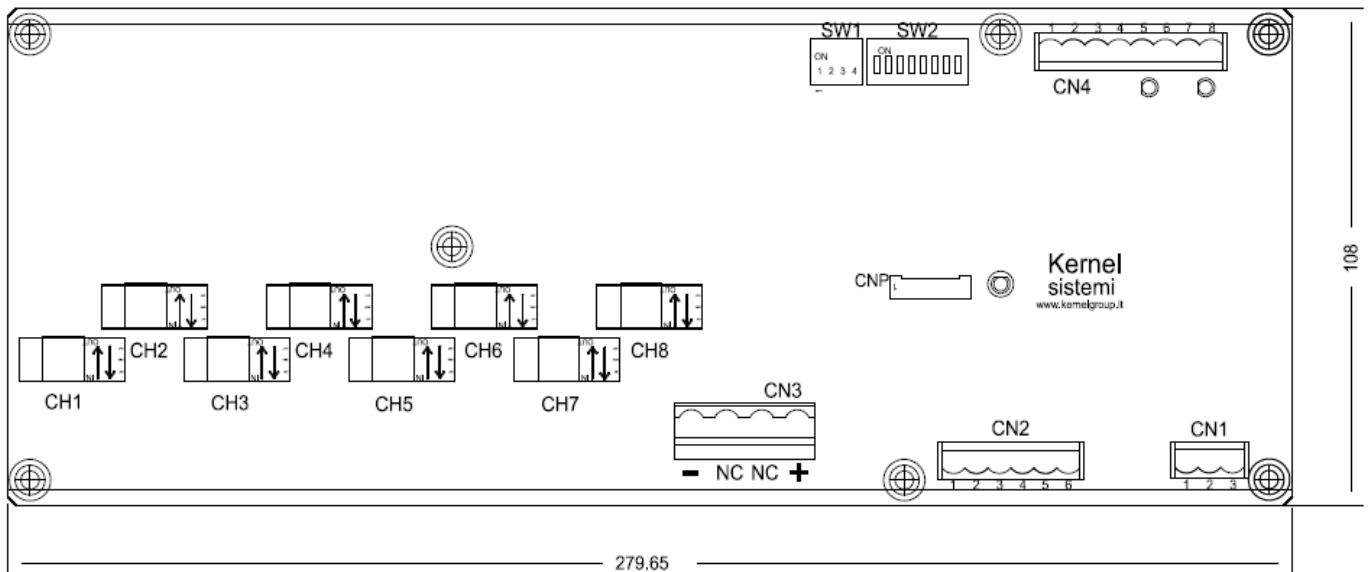
2.1 Hardware Characteristics

ELECTRIC CHARACTERISTICS	
Microprocessor	STM32F303
Power supply	24 Vdc
Power consumption (W)	< 3 W
Maximum number of monitored strings	8
Maximum common voltage	1500 V with precision better than 0,5 %
Max. current for each string	25
Range of measurement	0 ... 200 A
Current reading accuracy	Better than 0,3 %
Current reading precision	Better than 1,0 %
Communication	RS485 / RS487 (Modbus RTU or IEC 60870-5-101)
Digital Inputs	2 digital inputs 24 Vdc PNP
Analog inputs	1 input PT100 + 1 on board temperature sensor to know the temperature inside the string box panel
Working temperature's range	From -20 to +80 °C
Temperature's drift -20 °C ÷ +80 °C	Better than 150 mA a 25 A
Working atmosphere	Without corrosive gas
ID Address	Defined by dip-switches
Size (naked)	279,65 x 108 mm

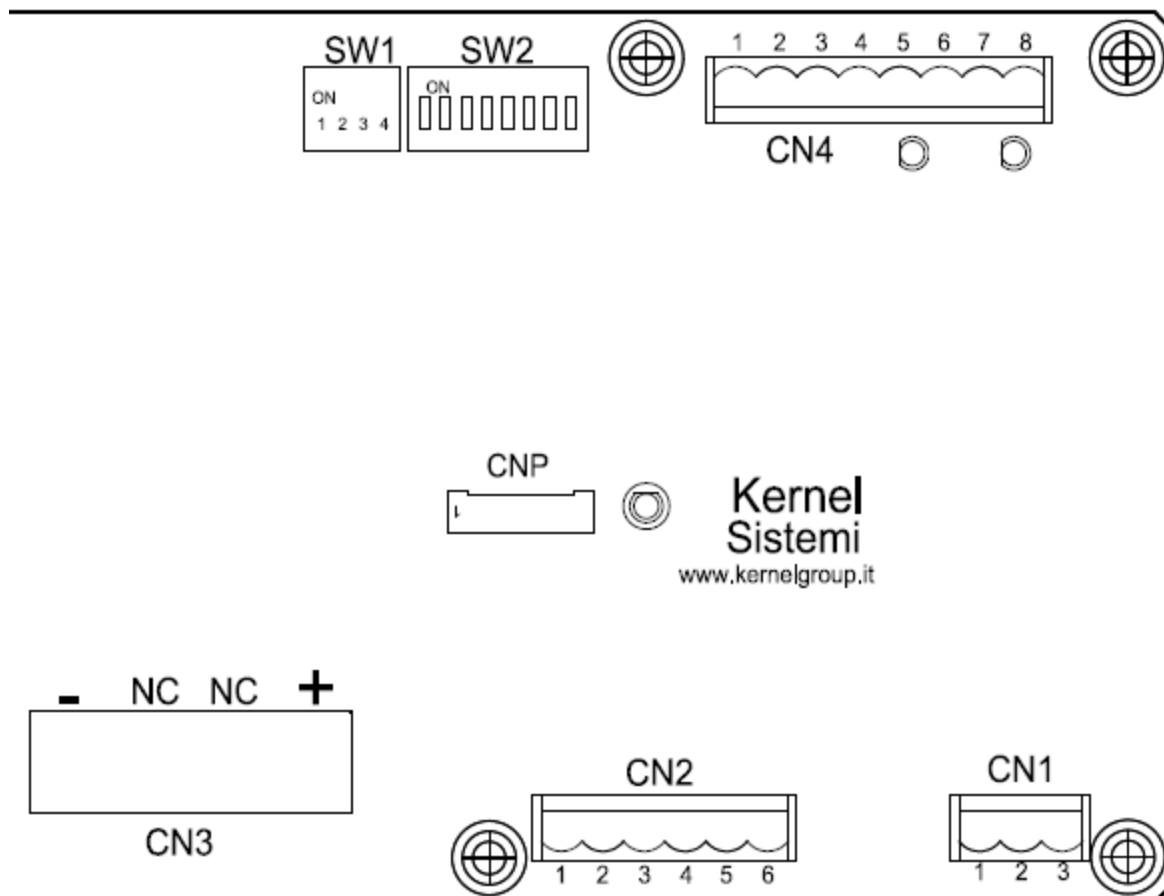
N°	Type of resources	Symbol	Terminal Block
1	Sensor on board to read the temperature (precision better than 1,5 %)	/	On board
1	RS485 serial port. This serial port is used to connect many "ST0HS string controllers" into a network or to a PC. Is possible select the communication characteristics with a dip-switches on board (node address, baud rate, parity, and communication protocol, that may be Modbus RTU or IEC 60870-5-101). This COM is divided in two connectors in order to facilitate the wiring	SERIAL PORT	CN2
1	PT100 input (from -20 to +120 °C) to temperature reading, with precision better than 1,5 %	T1	CN4
2	PNP digital inputs 24 Vdc, typically used to arrester connection, switches or other devices	INP0, INP1	CN4
8	This board can manage the current reading of 8 strings until 25 A with typical precision of x. and a temperature between -20 and +80 °C	Ch1...Ch8	Hall Sensors

2.2 Board dimensions (without supporting box)

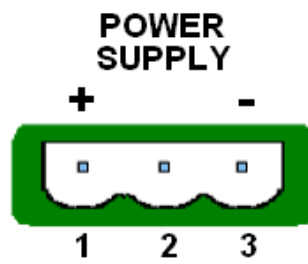
ST0HS0825



2.3 Connectors

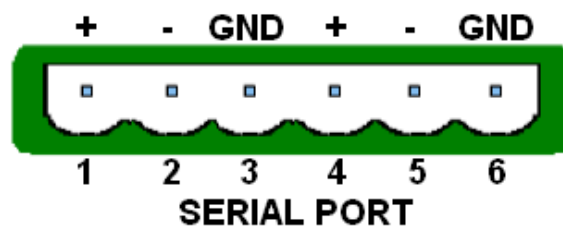
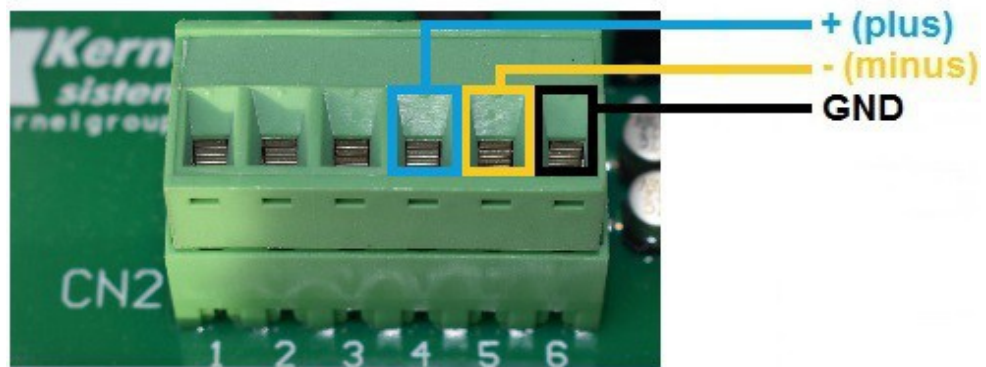


2.4 Connector : CN1

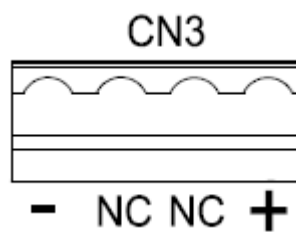


2.5 Connector : CN2

On connector CN2 there is a split serial port RS485, 3 wires : plus, minus and GND. You need to connect these three wires to the converter USB/RS485. The connector's pins which must be connected are pin 6 (GND), 5 (-) and 4 (+).

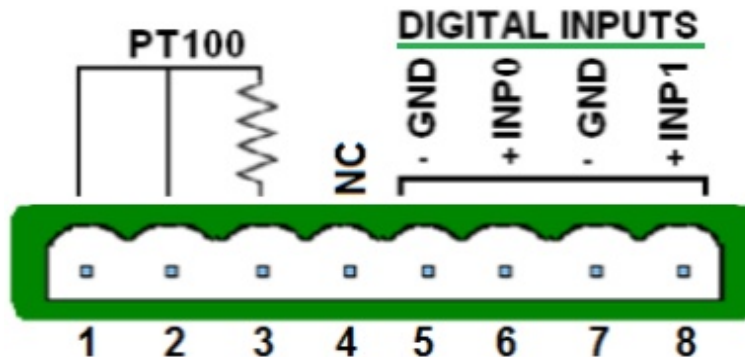


2.6 Connector : CN3



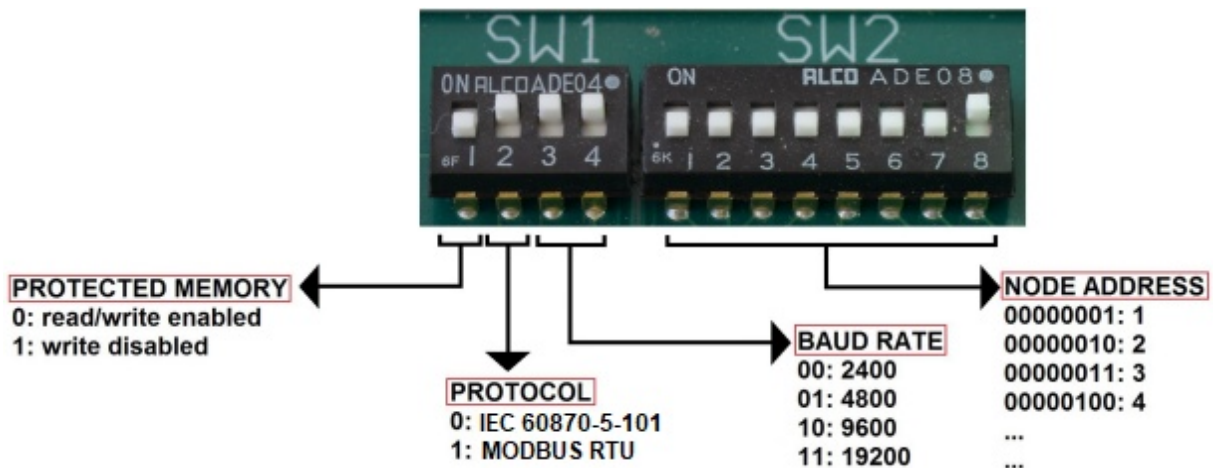
2.7 Connector : CN4

To know when a switch (for example the general one) is ON or OFF, there are two digital inputs PNP 24 Vdc on terminal block CN4. Each digital input status is indicated also by a led status on board. You need to use the pins 5, 6, 7 and 8. Inside the memory map the bits from 0 to 1 of register DATA.30001 are the digital input status.



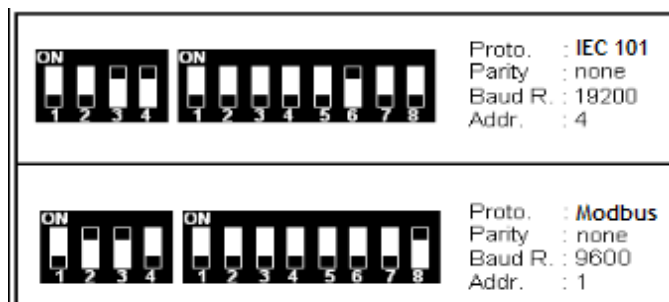
Is possible connect one PT100 to read the external temperature. The PT100 could be 2 or 3 wires, it will be connected as shown in the figure above to terminal block CN4. You can find this temperature on register DATA.30044.

2.8 Dip-switches



Note : Parity = NO_PARITY ; Bit = 8 ; Stop = 1

Some dip-switches examples :



2.9 Fixing system of the naked board (without supporting box)

To fix the naked board (without case) is necessary use plastic spacers with dual clutch. The plastic spacers must be 4x20 mm or 4x25 mm (4 mm is the hole diameter on the board). Look the below picture.



2.10 Status led

On the board there is a status led which with its blinking show the board status. There are two possible different blinking ways : blinking each 0,5 sec, or blinking faster. If the blinking is 0,5 sec ON and 0,5 sec OFF, it means that the board is ready to communicate with an external device, instead if the blinking is faster than 0,5 sec, it means that the board is in test mode with all the dip-switch OFF. In this way the board isn't ready to communicate with an external device.

2.11 RS485 Communication cable

Everything about the RS485 connection, must meet certain features :

Maximum cable length

it must be no longer than 1,2 Km (it means the entire line length, and not the connection between two nodes)

Maximum number of slaves

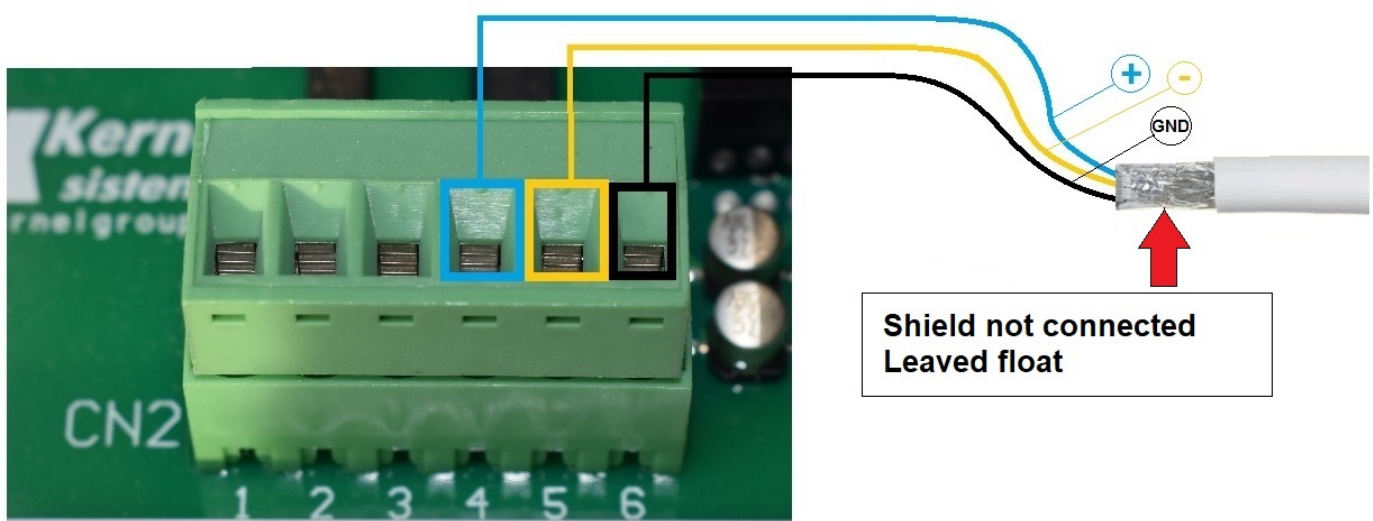
it's possible connect up to a maximum of one hundred slaves

Technical characteristics of the cable to use

It must be a three-wire cable 3 x 0.75 mm

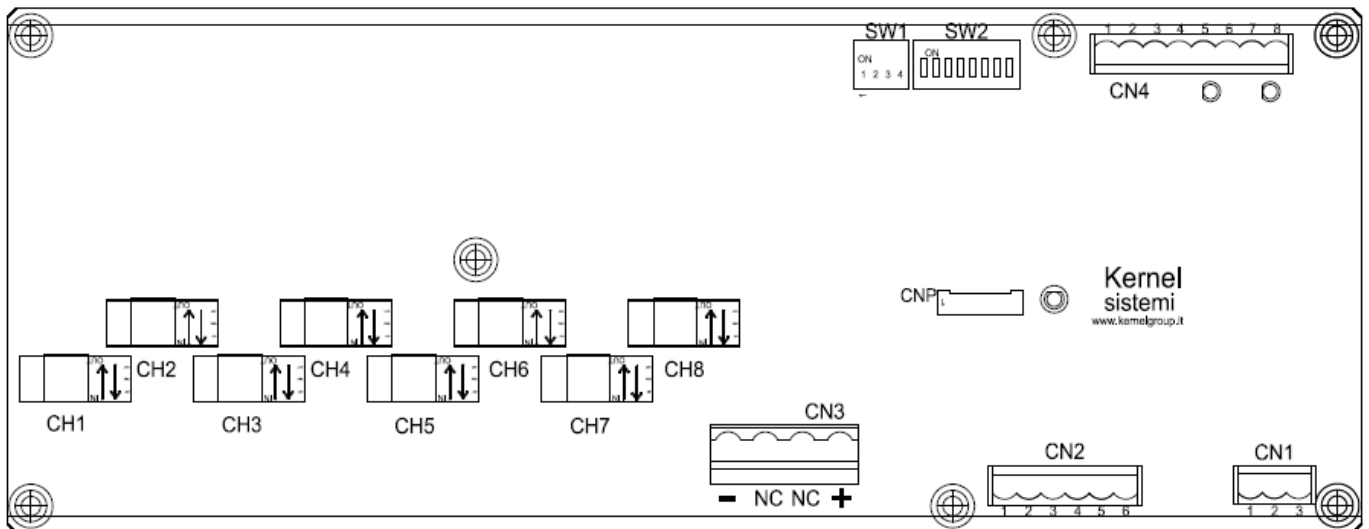
How to do the RS485 connection

The RS485 connection must be a three wires connection (TX+, TX- and GND) with a shielded cable. The cable shield must be leaved float, it means that the shield must be not connected neither one side nor the other one.



2.12 ST0HS0825

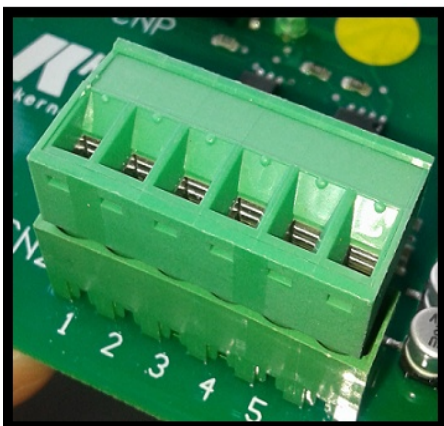
ST0HS0825



2.13 Informations about wires and connectors



CURRENT SENSOR	
Max Wire Section	10 mm ²
Operating temperature	-40 °C ÷ +105 °C



OTHER CONNECTORS (Power Supply, Serial ...)	
Wire Range	2.5 mm ² / 0.34-2.5 mm ²
Wire Strip length	7 - 8 mm
Solid Wire (AWG)	12-24 / 14-22
Screw	M3
Max Torque	0.56 Nm [5.0 Lbf-In]
Operating temperature	-40 °C ÷ +115 °C

3 MEMORY MAP

The ST0HS has the following memory map, it's made of 16 bits locations (1 word) called "DATA". Because each DATA is composed by 16 bits, its maximum value will be 65535.

DATA.30001	Inputs
DATA.30002	Inst Curr Str_01 (mA [0...25000])
DATA.30003	Inst Curr Str_02 (mA [0...25000])
DATA.30004	Inst Curr Str_03 (mA [0...25000])
DATA.30005	Inst Curr Str_04 (mA [0...25000])
DATA.30006	Inst Curr Str_05 (mA [0...25000])
DATA.30007	Inst Curr Str_06 (mA [0...25000])
DATA.30008	Inst Curr Str_07 (mA [0...25000])
DATA.30009	Inst Curr Str_08 (mA [0...25000])
...	
DATA.30034	Fuse status (Ch1...Ch8)
...	
DATA.30040	Inst V_1 (V [0...1500])
...	
DATA.30044	Inst T_1 (°C [-20...+120]) - PT100
DATA.30045	Inst T_2 (°C [-22,0...+83,0]) - on board
...	
DATA.30047	Sum of all currents / 10 (A)
DATA.30048	Power (W) - LSW
DATA.30049	Power (W) - MSW
...	
DATA.30052	RMS Curr Str_01 (average value on last 6 seconds)
DATA.30053	RMS Curr Str_02 (average value on last 6 seconds)
DATA.30054	RMS Curr Str_03 (average value on last 6 seconds)
DATA.30055	RMS Curr Str_04 (average value on last 6 seconds)
DATA.30056	RMS Curr Str_05 (average value on last 6 seconds)
DATA.30057	RMS Curr Str_06 (average value on last 6 seconds)
DATA.30058	RMS Curr Str_07 (average value on last 6 seconds)
DATA.30059	RMS Curr Str_08 (average value on last 6 seconds)
...	
DATA.30084	RMS V_1 (V [0...1500]) (average value on last 6 seconds)
...	
DATA.30088	RMS Inst T_1 (°C [-20...+120]) (average value on last 6 seconds)
DATA.30089	RMS Inst T_2 (°C [-22,0...+83,0]) (average value on last 6 seconds)
...	
DATA.30091	RMS Sum of all currents (A) (average value on last 6 seconds)
DATA.30092	RMS Power (W) - LSW (average value on last 6 seconds)
DATA.30093	RMS Power (W) - MSW (average value on last 6 seconds)
...	

DATA.40001	Set up PARITY mode : 1 : none ; 2 : even ; 3 : odd
DATA.40002	Offset Curr Str_01
DATA.40003	Offset Curr Str_02
DATA.40004	Offset Curr Str_03
DATA.40005	Offset Curr Str_04
DATA.40006	Offset Curr Str_05
DATA.40007	Offset Curr Str_06
DATA.40008	Offset Curr Str_07
DATA.40009	Offset Curr Str_08

...

DATA.40034	Answer Delay (msec)
DATA.40035	Time Com Active (1/10 sec.)
DATA.40036	Parity (1 = None, 2 = Even, 3 = Odd) = DATA.40001
DATA.40037	Fuse Threshold
DATA.40038	Reversing the sign of current (Ch1...Ch8)

...

DATA.40040	Offset V_1
------------	------------

...

DATA.40044	Offset T_1
DATA.40045	Offset T_2

...

DATA.40052	Gain Curr Str_1
DATA.40053	Gain Curr Str_2
DATA.40054	Gain Curr Str_3
DATA.40055	Gain Curr Str_4
DATA.40056	Gain Curr Str_5
DATA.40057	Gain Curr Str_6
DATA.40058	Gain Curr Str_7
DATA.40059	Gain Curr Str_8

...

DATA.40090	Gain V_1
------------	----------

...

DATA.40094	Gain T_1
DATA.40095	Gain T_2

NOTES

Each "offset DATA" has 0 as default value. Each "gain DATA" has 1000 as default value. *The value 1000 means x1*, in this way, for example, is possible write 500 and make the value x0,5.

3.1 Memory Map Description

DATA.30001 : the first two bits of these register are the mirror status of the two digital inputs on the board (INP0, INP1 on CN4). So if DATA.30001 = 0000000000000011 [bin] = 3 [dec], it means that all the two digital inputs are ON.

DATA.30002 ... DATA.30009 : these registers contains the current value of the current reading on each channel. It is in mA

DATA.30034 : the first eight bits of DATA.30034 show if each channel current reading is under 200 mA or not. This threshold represent the fuse status.

DATA.30040, DATA.30049 : these registers show the value of some readings as the temperatures (T1 and T2), voltage reading (on connector CN3) etc...

DATA.30052, DATA.30059 : these registers contains the average value on last 6 seconds of the current reading. Obviously these values are more stable than the instantaneous values show in registers DATA.30002...DATA.30009

DATA.40001 : through this register is possible set the communication parity. The default value is zero, so "no parity"

DATA.40002, DATA.40009 : these are the offset registers. These registers (whose default value is 0) allow to add a constant value to the current reading. This allow to adjust a possible reading error. For example if DATA.30002 show 2300 (it means that channel CH1 read 2,3A), writing DATA.40002 = 200 the new value of the reading will be DATA.30002 = 2500 (it means that channel CH1 read 2,5A).

DATA.40052, DATA.40059 : these are the gain registers. These registers (whose default value is 1000) allow to multiply a constant value to the current reading. This allow to adjust a possible reading error. For example if DATA.30002 show 2300 (it means that channel CH1 read 2,3A), writing DATA.40052 = 1500 the new value of the reading will be DATA.30002 = 3450 (it means that channel CH1 read 3,45A, $2300 \times 1,5 = 3450$).



3.2 Reading speed

The analogic values of the currents, the voltage and the temperature are read simultaneously 10 times per second (100 msec scan time), then are inserted in it's own FIFO (a FIFO for each analogic value), 16 values deep. The value read from the board is the mobile mean of the FIFO, so it is the mean of the last 16 read values (1.6 sec), updated every 100 msec. This is done to make the analogic readout more stable and it is a good compromise between speed and readout stability.

The instant values of the analogic are temporary stored into a hidden memory area, not accessible to the COM port.

The update time depend on the speed polling time of the SCADA and the communication baud rate.

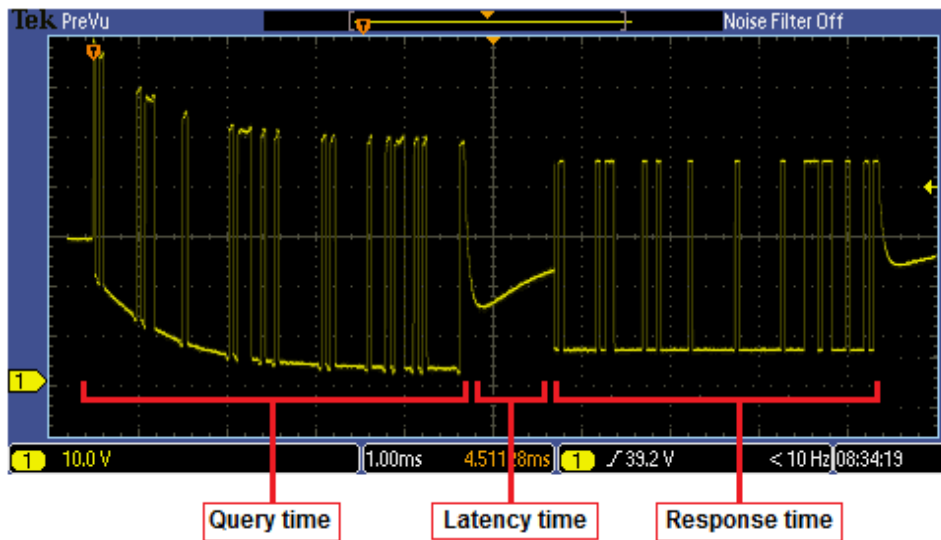
The total time requested to read the board via com port is splitted into three times: *the query time, the latency time and the response time.*

The query time is the time needed by the SCADA to send the MODBUS query packet and depends on the baud rate (about 4 msec at 19200 baud rate).

The latency time is the time need by the board to process the query and prepare the answer, it is between 1 and 2 msec and it is independent on the baud rate.

The response time is the time needed byte the board to send the MODBUS answer packet, it's depend on the baud rate and on the number of registers read at a time, for a single register read at 19200 baud it is about 4 msec.

So at 19200 baud rate the total time needed to read a single register is about 10 msec., you have to add 1 msec every other register read, for example to read 16 registers with a single query will take $10 \text{ msec} + 15 * 1 \text{ msec} = 25 \text{ msec}$.



4 ORDER CODES

Here below the order codes :

CODE	DESCRIPTION
ST0HS0825\NC	Device with support for din rail bar
ST0HS0825\NK	Device without support for din rail bar

5 CONTACTS

GENERAL

Tel: 059 469978
 website: www.kernelgroup.it
 e-mail: info@kernelgroup.it

COMMERCIAL

Sig.ra Linda Mammi
 Tel: 059 469978 Int. 207
 e-mail: sales@kernelgroup.it
 Skype: mammi.kernel

ADMINISTRATION

Sig.ra Paola Morandi
 Tel: 059 469978 Int. 201
 e-mail: amministrazione@kernelgroup.it
 Skype: morandi.kernel

PURCHASING and PRODUCTION

Sig. Stefano Catuogno
 Tel: 059 469978 Int. 204
 e-mail: produzione@kernelgroup.it
 Skype: catuogno.kernel

TECHNICAL OFFICE

Sig. Alessandro Muratori
 Tel: 059 469978 Int. 205
 e-mail: alessandro.muratori@kernelgroup.it
 Skype: muratori.kernel

Support
 Tel: 059 469978 Int. 209
 e-mail: support@kernelgroup.it
 Skype: support.kernel

Sig.ra Francesca Borghi
 Tel: 059 469978 Int. 208
 e-mail: francesca.borghi@kernelgroup.it
 Skype: borghi.kernel

Sig. Morisi Luca
 e-mail: luca.morisi@kernelgroup.it
 Skype: morisi.kernel