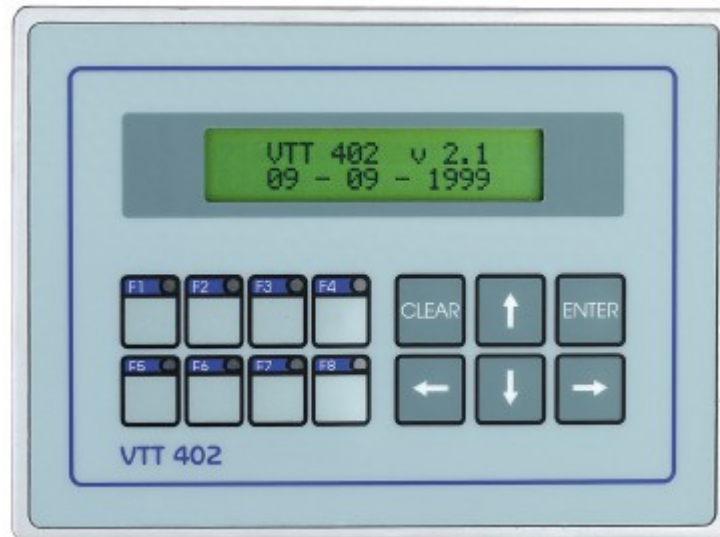




VTT 402



Operator Panel

- LCD display with high contrast 40 characters and backlight led
- Automatic 6 languages management
- Standard communication protocols (Omron , Siemens S7 200 , Modbus , Keyence etc..)
- Customizable function buttons

ELECTRIC CHARACTERISTICS	
Power supply voltage	Min 20Vcc ; Max 26 Vcc Min 18 Vac ; Max 21 Vac
Current Consumption	Under 2mA
Microprocessor	Hitachi H83644
Pages Memory	512 KB
External E²PROM	512 Byte
Digital Inputs	4 digital inputs PNP at 24 Volts , <u>manageble only with WinPager firmware</u> .

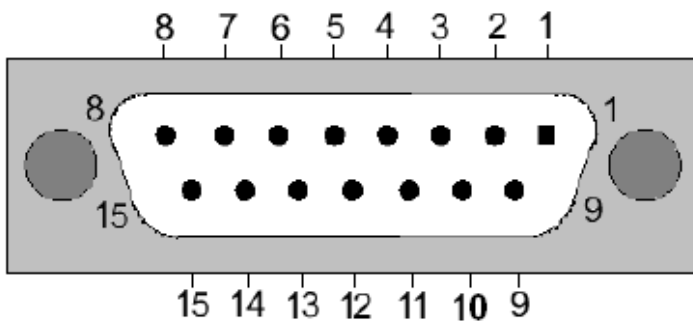
ELECTRIC CHARACTERISTICS

Serial Line

One serial line (COM 0)

COM 0 : It could be used in RS232 , RS485 or RS422 with many different standard communication protocols for connect other devices . If it's connected to PC is used for transfer the pages .

COM 0

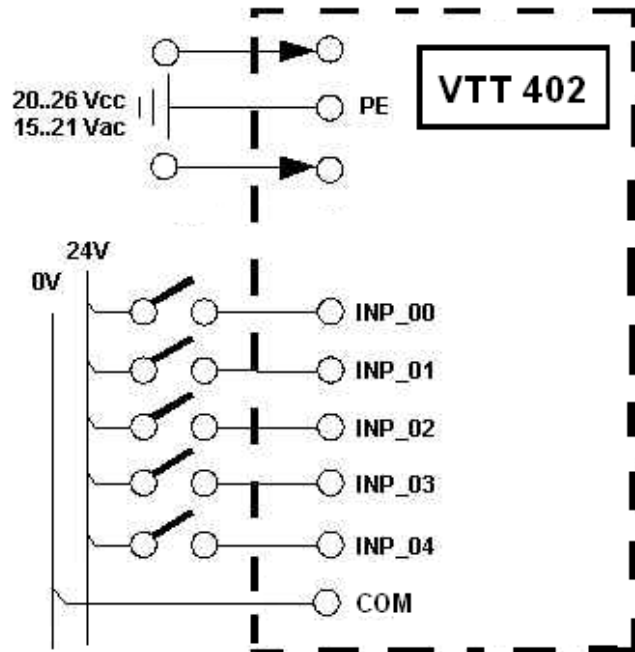
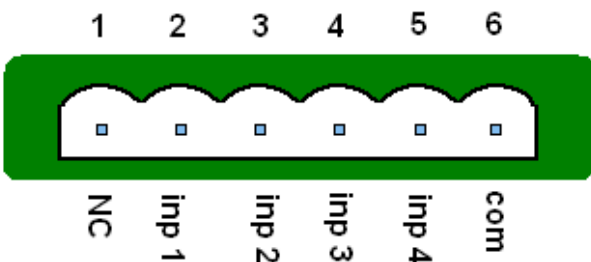


Jumper

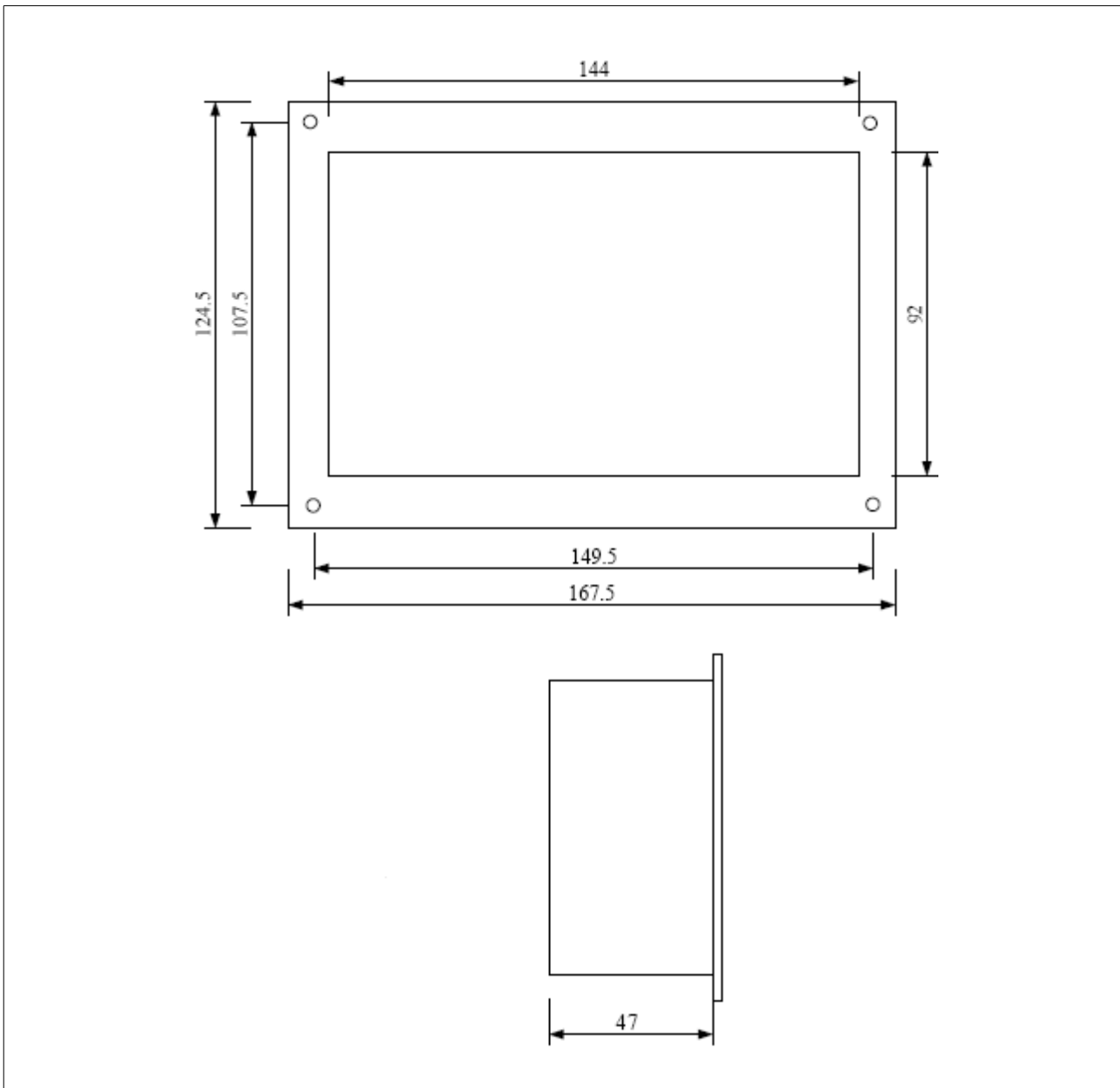


RS232	RS485	RS422
1 : GND	7 : TRX+	6 : RX+
2 : RX	15 : TRX-	14 : RX-
3 : TX		7 : TX+
		15 : TX-

INPUTS



MECHANICS CHARACTERISTICS	
Humidity Range	from 10 to 90% (non-condensing
Temperature Range	from -10 °C to +70 °C
Operating Atmosphere	Without corrosive gas
Noise Immunity	According to rules in force
Fixing System	Four M4 pegs
Weight	630 g
Keyboard	Membrane keyboard on anodized aluminium front part with 8 function buttons (from F 1 to F 8) and 6 dedicated buttons
Display	Alphanumeric display 20 characters on 2 rows with led's backlight . 8 leds on function buttons . On demand available also cyrillic display .
Size	Front view 167x124 mm , Depth 47 mm



SOFTWARE CHARACTERISTICS	
Firmware and Programming Software	Flash / WinPager / Free*
Developed Functions	<ul style="list-style-type: none"> • Automatic 6 languages management • Pages and Link management • Variable management • Alarms automatic management

SOFTWARE CHARACTERISTICS	
<p>Standard Communication Protocols</p>	<ul style="list-style-type: none"> • Omron • Modbus RTU • Siemens S7 200 • Keyence • Mitsubishi • Kernel • Taian • Hitachi • Matsushita • Shinko • SLC 500

* The Free firmware allow to show on the operator panel display , everything that come on the serial port , so isn't necessary create pages with a programming software .