



TSP 570



Operator panel 256 colours with integrated PLC

- Graphic LCD 240 x 320 at 256 colours
- Open Master communication protocol
- Contact programming with Ladder language
- Function for Recipe management , P.I.D. Regulator, etc ...

ELECTRIC CHARACTERISTICS	
Power supply voltage	Min 20Vcc ; Max 26 Vcc Min 15 Vac ; Max 21 Vac
Current Consumption	under 600mA without loads
Microprocessor	Fujitsu MB91467 @ 100MHz
Program Memory	128 KB
Pages Memory	128 KB
E ² PROM	64 KB
Cycle Time	Programmabile (min 5 msec.)
Digital Inputs	16 digital inputs PNP at 24 Volts with programmable anti-noise filter (4 fast inputs

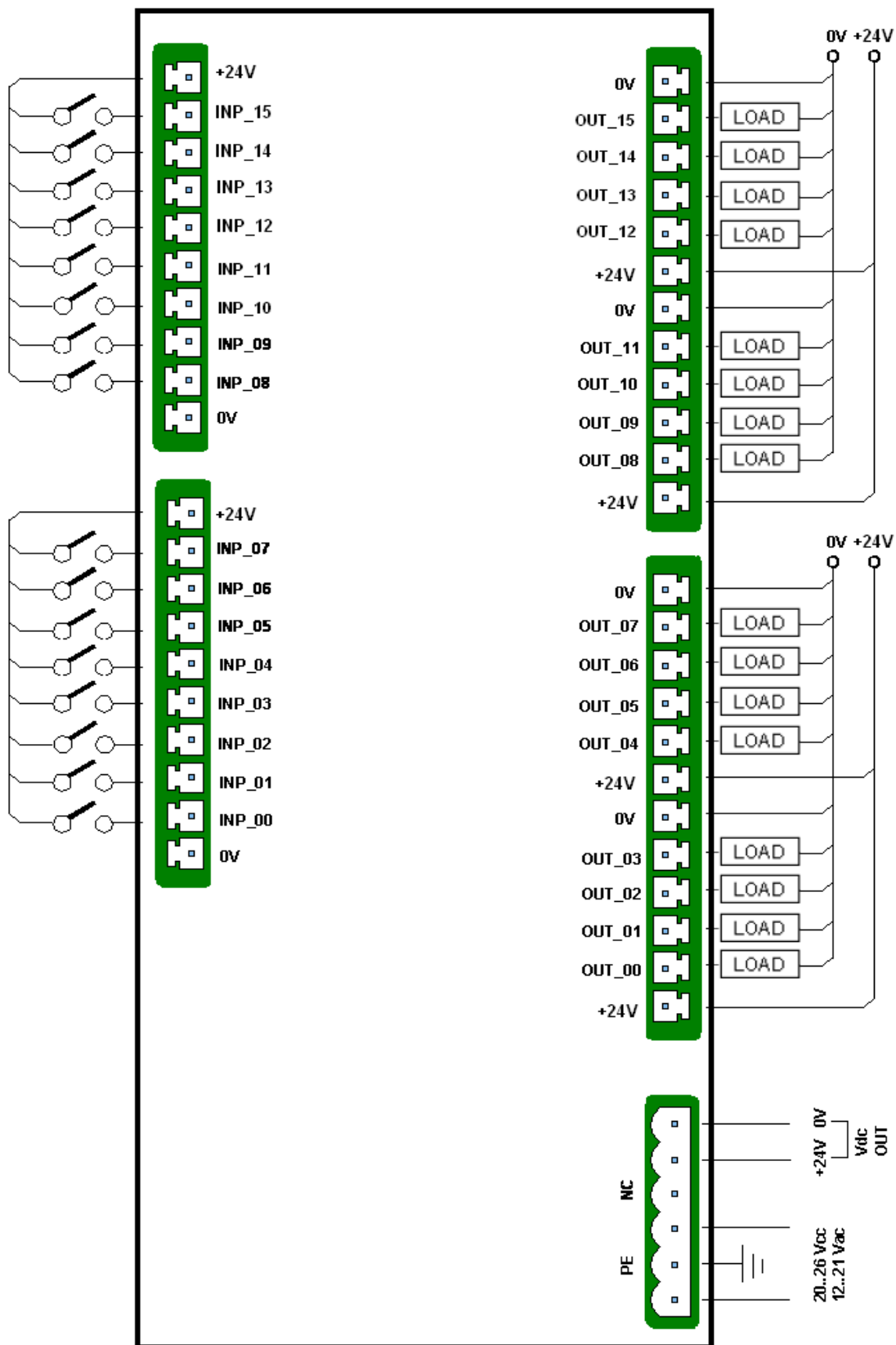


ELECTRIC CHARACTERISTICS

Power supply voltage	Min 20Vcc ; Max 26 Vcc Min 15 Vac ; Max 21 Vac
Current Consumption	under 600mA without loads
Microprocessor	Fujitsu MB91467 @ 100MHz
Program Memory	128 KB
	for encoder connection untill 10KHz)

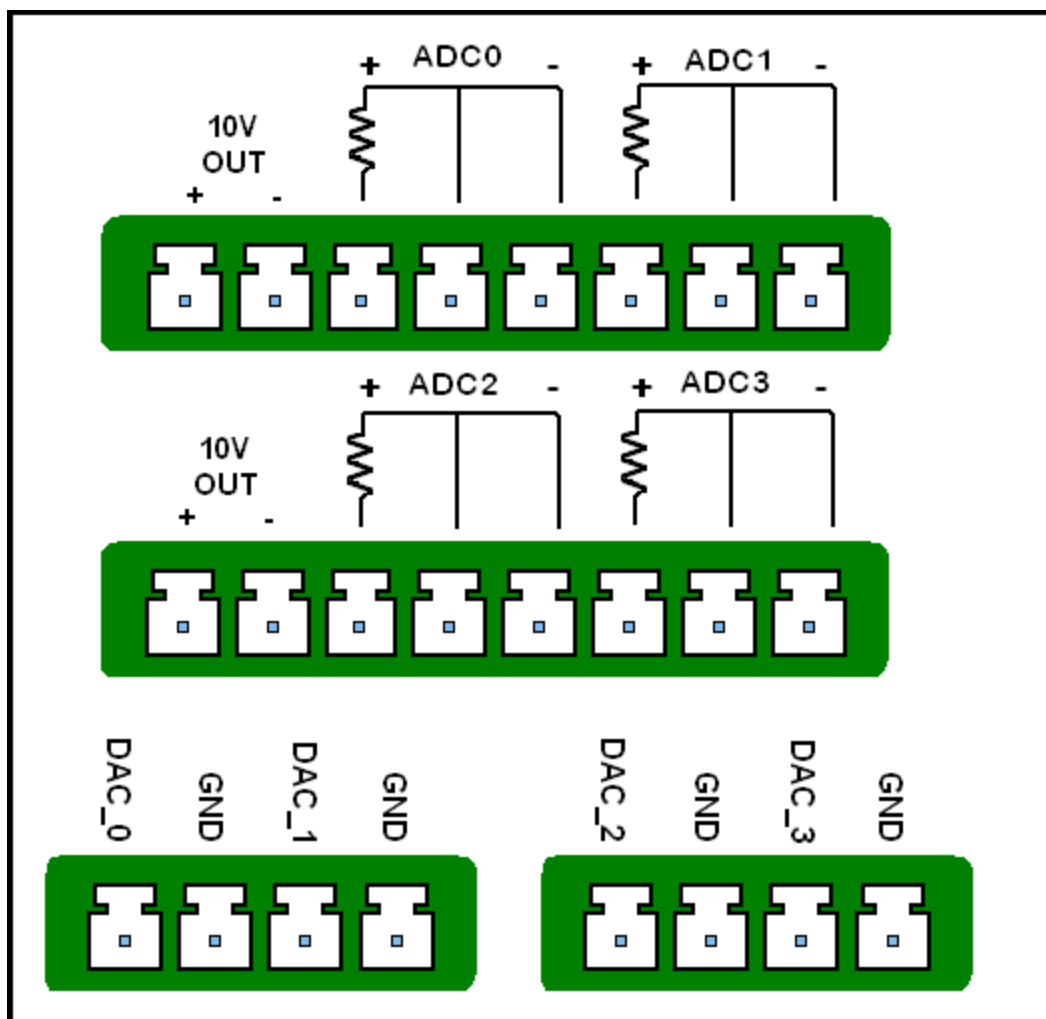


Connessioni I/O





Analog Inputs	4 configurable analog inputs for voltage, current , PT100 or TMC a 10 bits
Digital Outputs	16 static outputs PNP 24V at 500mA
Analog Outputs	4 analog outputs -10/+10 V at 12 bits
Buffered RAM	96 words any 100 msec automatically copy into plugged RAM (for a term of 1 year)
RTC	Extern real time clock with plugged calendar and clock with rechargeable battery . (for a term of 1 year)



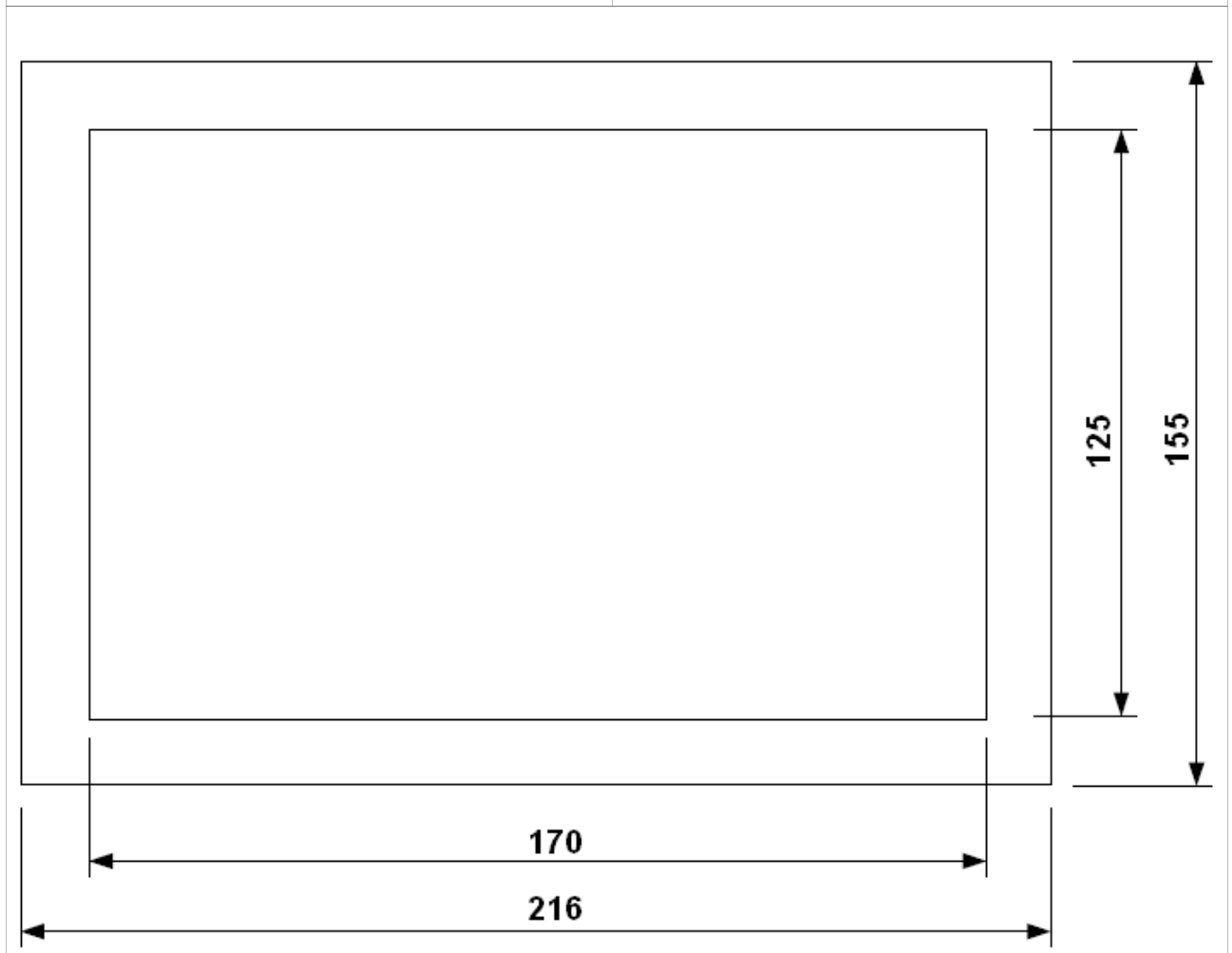


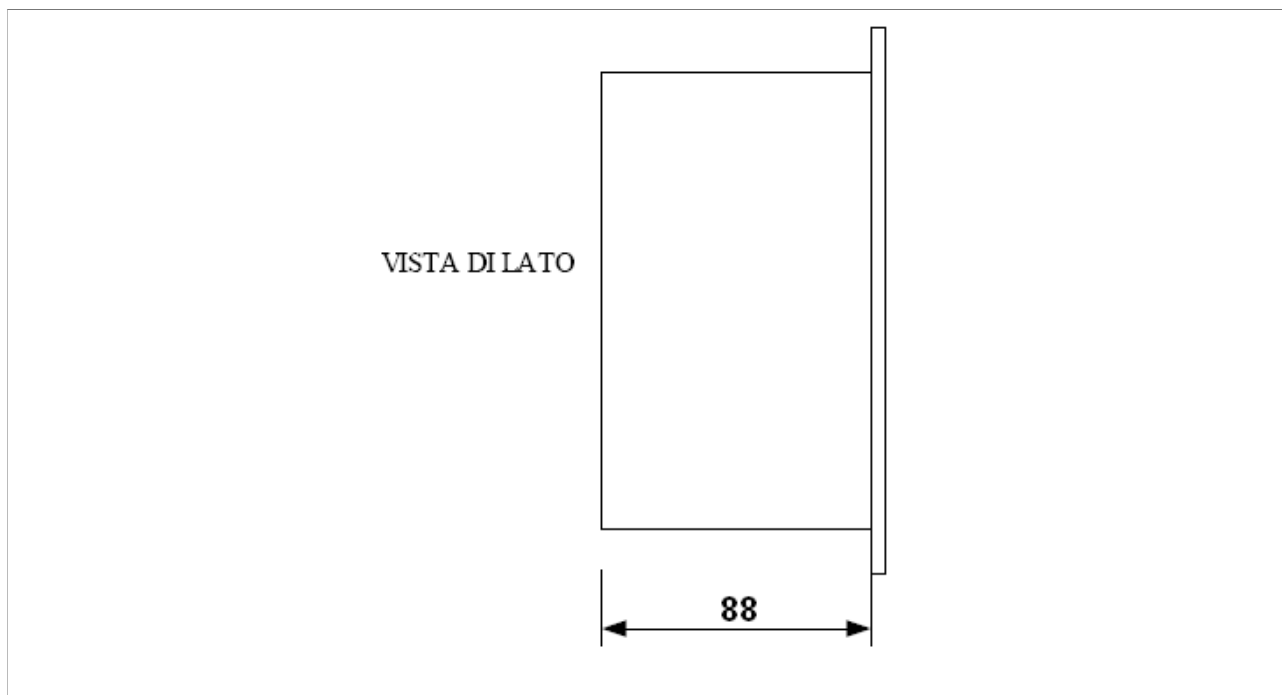
<p>Communication Ports</p>	<p>2 serial lines (COM 0,COM 1) and 1 CAN port</p> <p><u>COM 0</u> : This serial port is RS232 and this port might support many different communication protocols. It's used also for upload the application program or the operative system alternatively to USB port.</p> <p><u>COM 1</u> : Used in RS485 or RS422 mode , might support many different communication protocols and it's normally used like interface with other devices (termoregulators , inverters or for network connection) .</p>
-----------------------------------	--

MECHANICS CHARACTERISTICS



Temperature Range	From -10 °C to +70 °C
Humidity Range	From 10 to 90% (non-condensing)
Operating Atmosphere	Without corrosive gas
Noise Immunity	According to rules in force
Fixing System	Four M4 pegs
Weight	1 Kg
Keyboard	Resistive touch screen
Display	Graphic display 320X240 at 256 colours, backlight. 4 signalling LEDs.
Size	Front view 216x155 mm, Depth 82 mm





SOFTWARE CHARACTERISTICS

Programming Languages	AWL / Ladder
Timers	256 timers at 16 bit with 1/100 sec resolution. Timers are configurables like excitation delay or disexcitation delay.
Counters	256 counters at 16 bit configurables like increase or decrease.
Data Memory	12288
Developed Functions	<ul style="list-style-type: none"> - Week programming - Recipes management - Encoders management - P.I.D. regulation
Memory area check in real time mode on data table (Debug)	●
Ladder's subroutines Import/Export	●
Contact and variable check in real time mode on ladder (Debug Online)	●