



KS 408

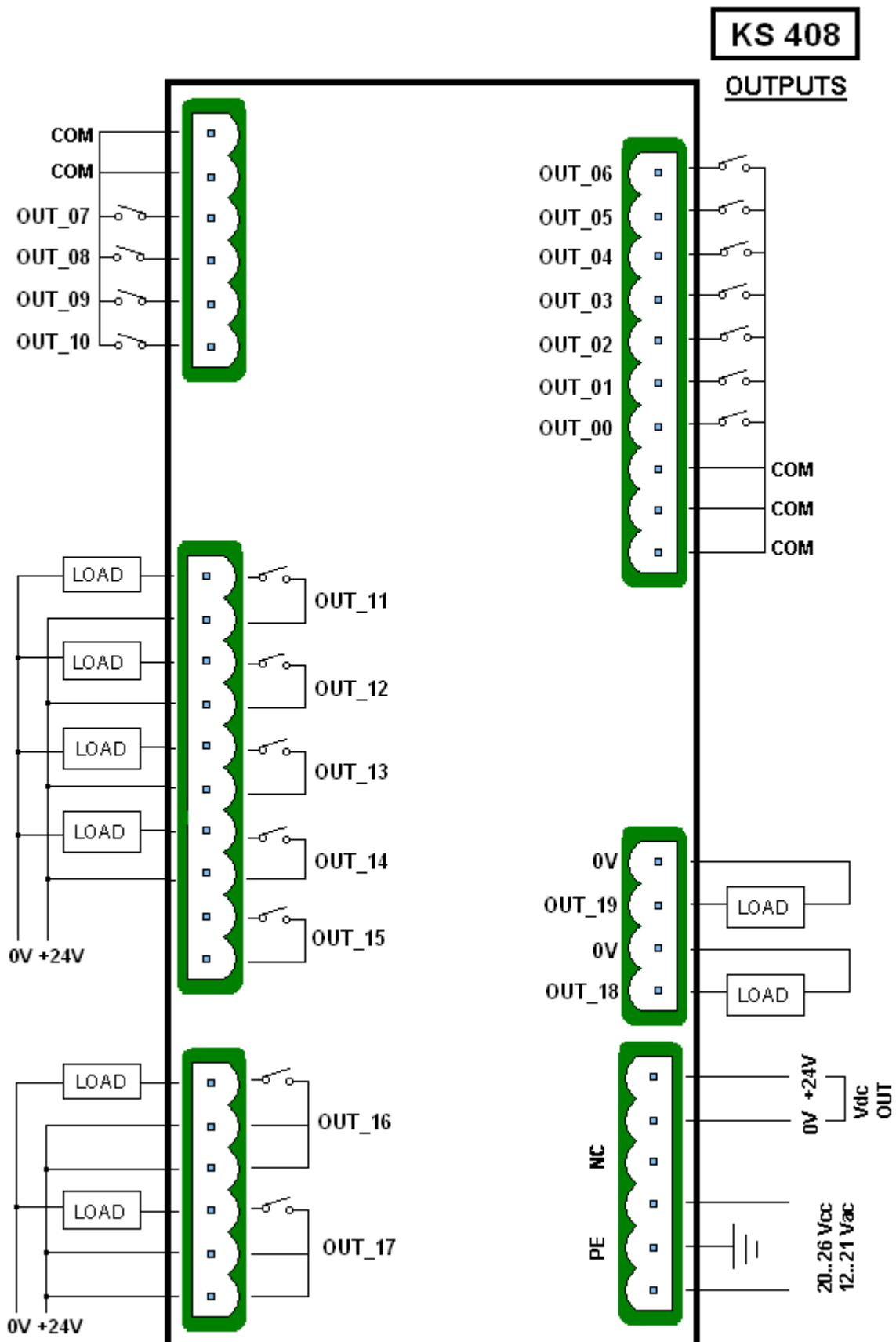


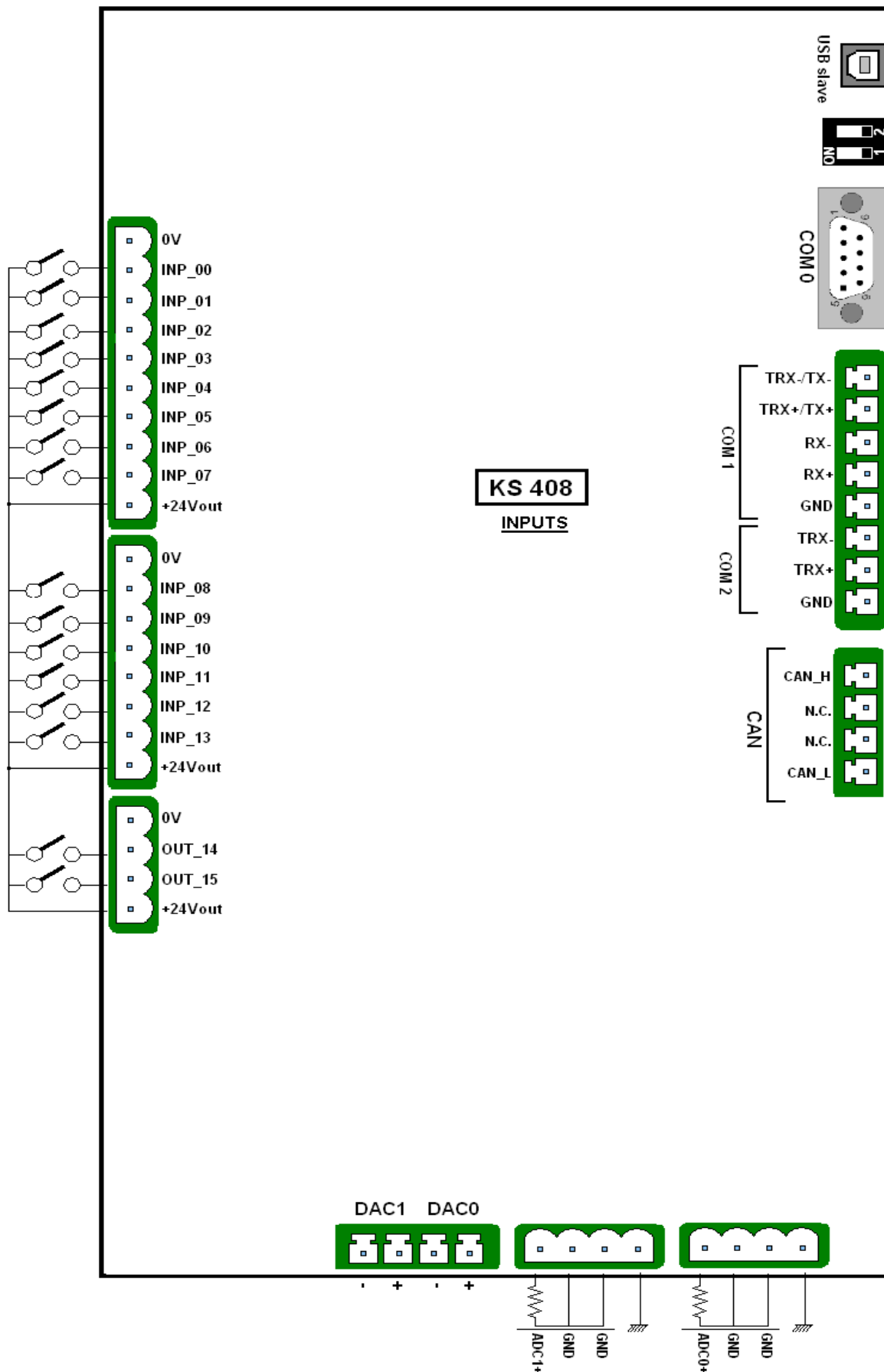
Operator panel with integrated PLC

- Graphic LCD 240 x 320 touch screen 256 colours
- Open Master communication protocol
- Contact programming with Ladder language
- USB slave port

ELECTRIC CHARACTERISTICS

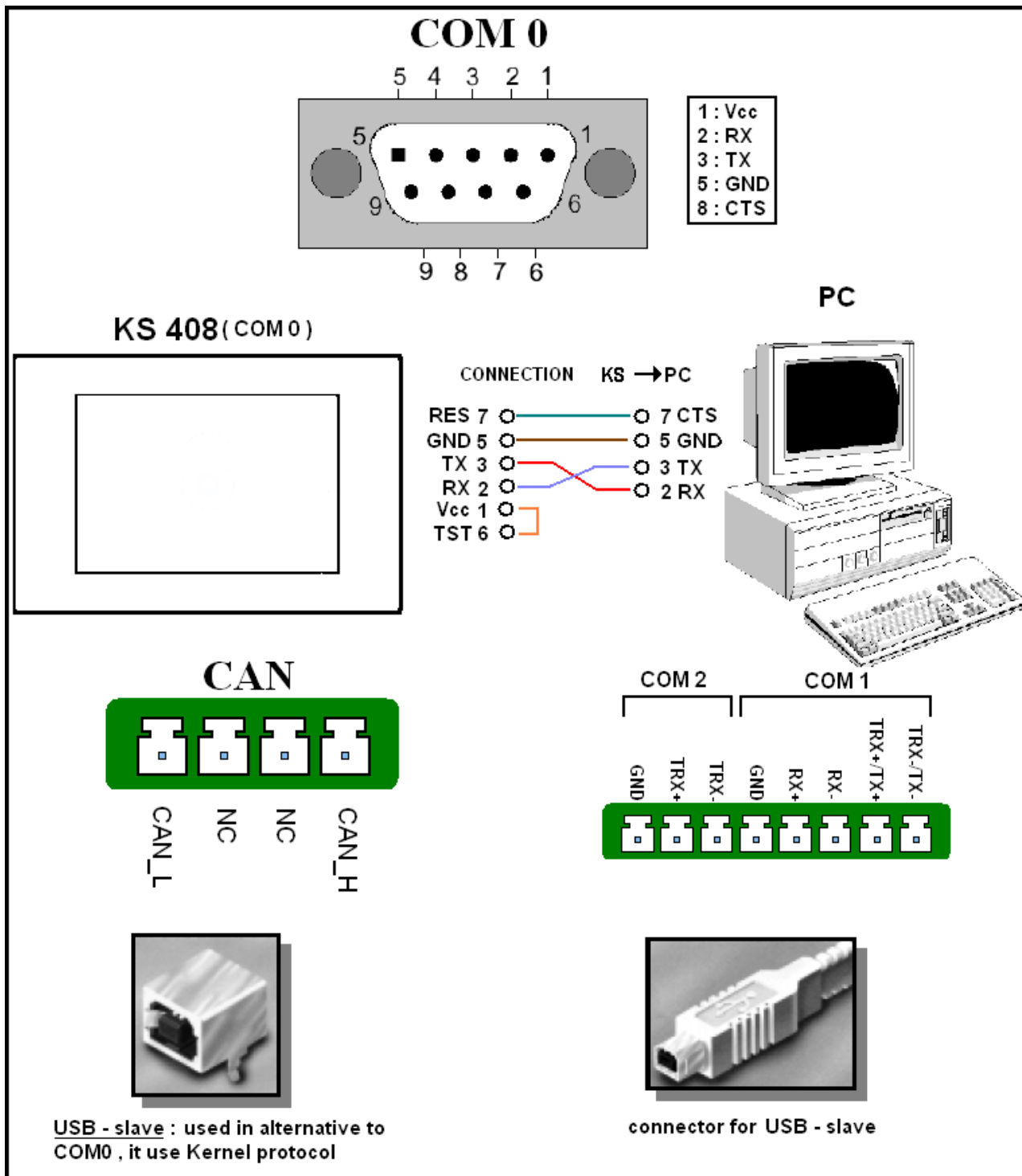
ELECTRIC CHARACTERISTICS	
Power supply voltage	Min 20Vcc ; Max 26 Vcc Min 15 Vac ; Max 21 Vac
Current Consumption	under 500mA without loads
Microprocessor	Fujitsu MB91467 @ 4MHz
Program Memory	256 KB
Pages Memory	4 MB
E²PROM	64 KB
Cycle Time	Programmable (min 1 msec.)
Digital Inputs	16 digital inputs PNP at 24 Volts with programmable anti-noise filter (4 fast inputs for encoder connection untill 10KHz) with programmable anti-noise filter (value 0..255)







Analog Inputs	Two configurable analog inputs for voltage, current , PT100 or TMC at 10 bits.
Digital Outputs	20 digital outputs of them 18 relay at 250V, 6A for any common and 2 static outputs PNP 24V and 500mA
Analog Outputs	2 analogic outputs -10...+10V with 12 bits resolution [0...4045]
Buffered RAM	96 words any 100 msec automatically copy into plugged RAM (for a term of 1 year)
RTC	Extern real time clock with plugged calendar and clock with rechargeable battery . (for a term of 1 year)
Communication Ports	<p>3 serial lines (COM 0,COM 1,COM 2), 1 USB slave port and a CAN port</p> <p><u>COM 0</u> : Available only in RS232 mode , in alternative to this can be used the USB slave port . This port might support many different communication protocols . It's used also for upload the application program or the operative system .</p> <p><u>COM 1</u> : Used in RS485 or RS422 mode , might support many different communication protocols and it's normally used like interface with other devices (I/O expansions , termoregulators , inverters or for network connection) .</p> <p><u>COM 2</u> : Used only in RS485 mode , might support many different communication protocols and it's normally used like interface with other devices (I/O expansions , termoregulators , inverters or for network connection) .</p>

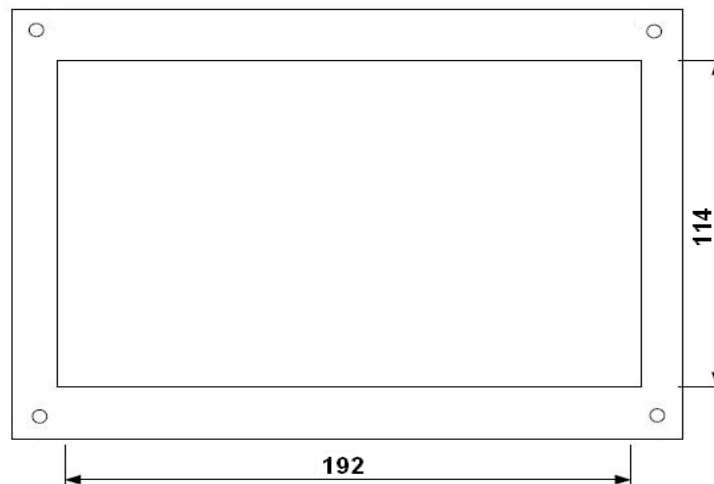




MECHANICS CHARACTERISTICS

Temperature Range	from -10 °C to +70 °C
Humidity Range	from 10 at 90% (non-condensing))
Operating Atmosphere	Without corrosive gas
Noise Immunity	According to rules in force
Fixing System	Four M4 pegs
Weight	767 gr.
Keyboard	Resistive touch screen
Display	Graphic TFT display 240 X 320 (54 characters on 30 lines) backlight.
Size	Front view 192x114 mm , Depth 65 mm

BACK VIEW



SIDE VIEW





SOFTWARE CHARACTERISTICS	
Programming Languages	AWL / Ladder
Timers	256 timers at 16 bit with 1/100 sec resolution. Timers are configurables like excitation delay or disexcitation delay.
Counters	256 counters at 16 bit configurables like increase or decrease.
Data Memory	12288
Developed Functions	Week programming Recipes management Encoders management P.I.D. regulation
Memory area check in real time mode on data table (Debug)	●
Ladder's subroutines Import/Export	●
Contact and variable check in real time mode on ladder (Debug Online)	●