



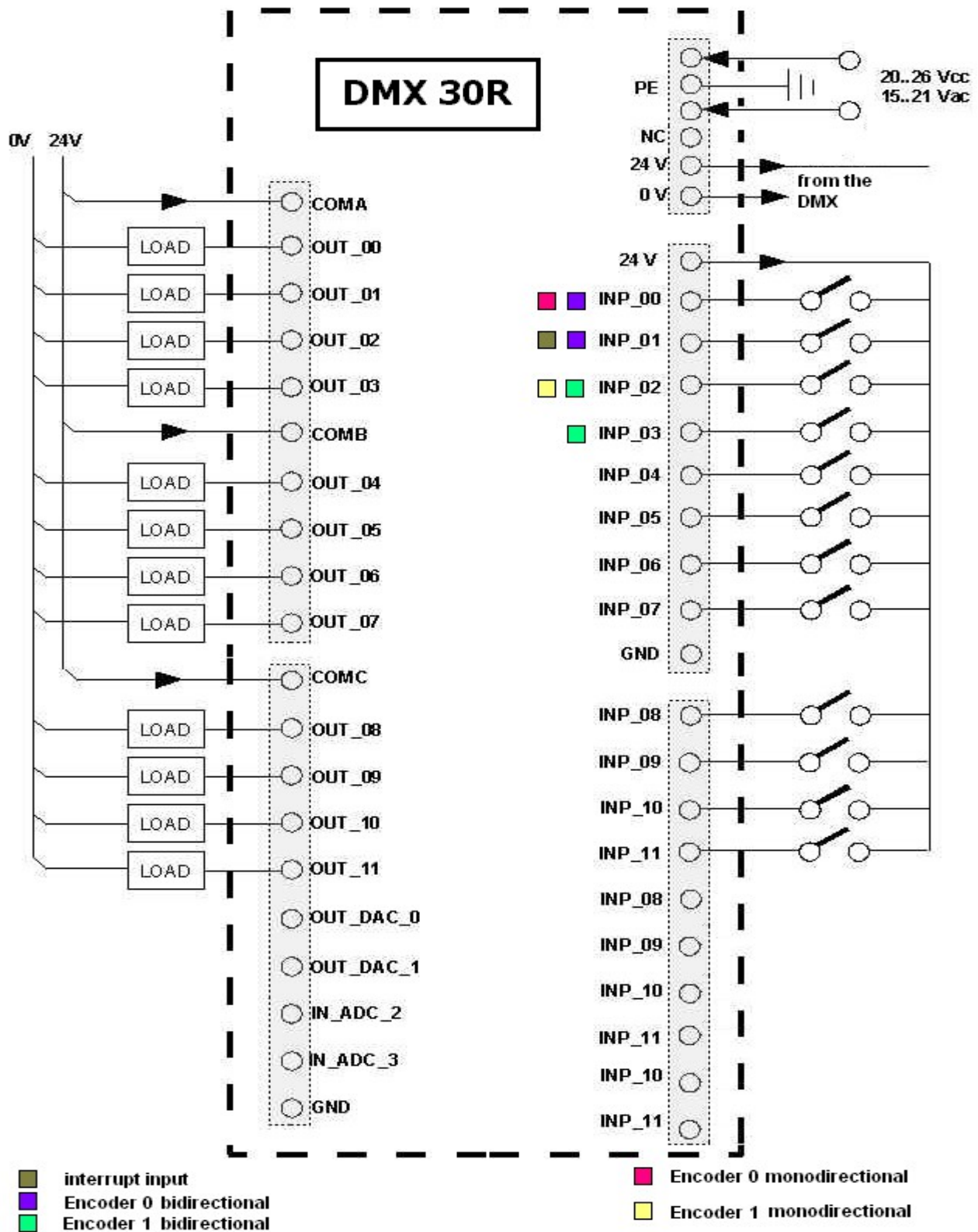
DMX 30

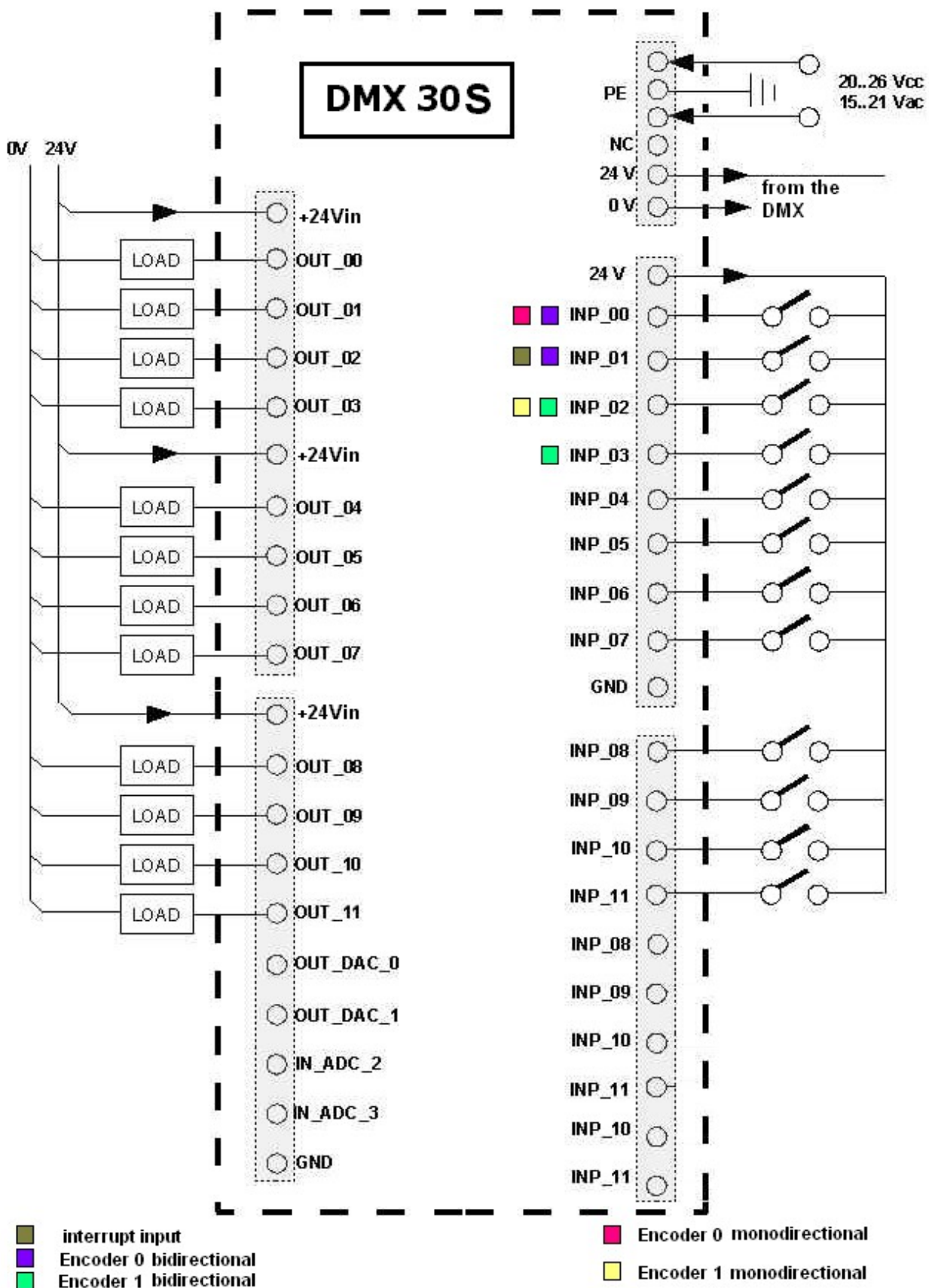


PLC visualizzato per montaggio a quadro

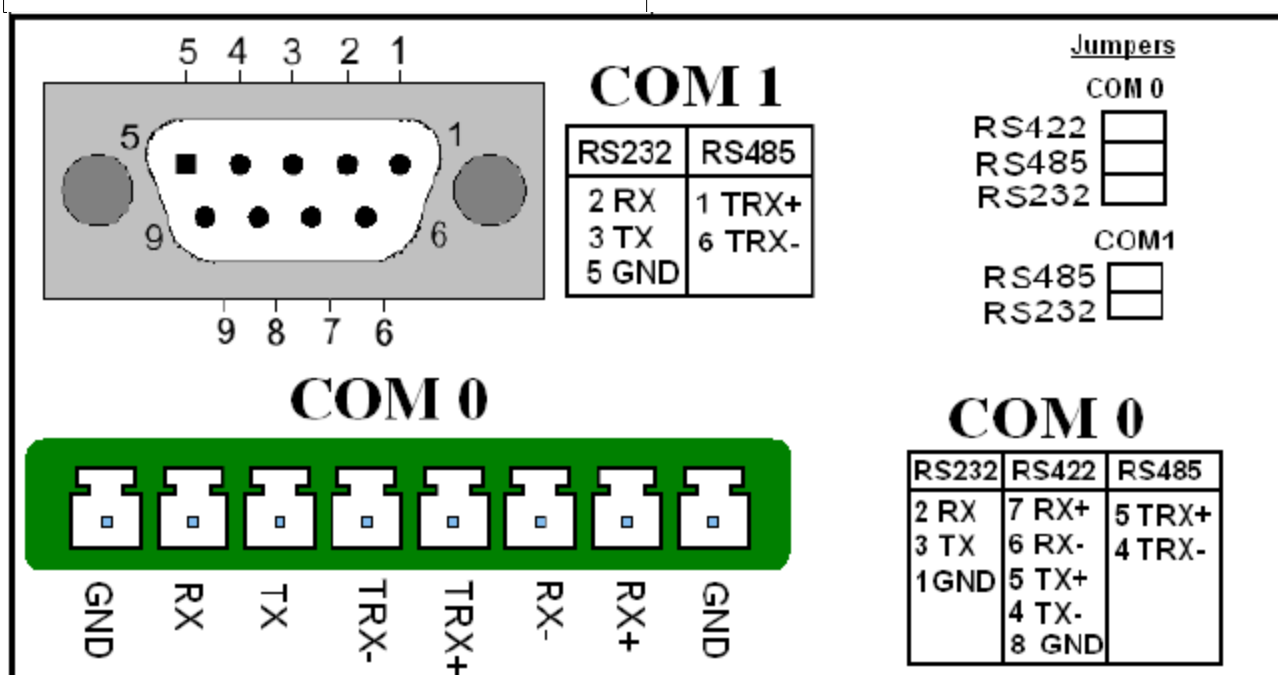
- Fixing system on din rail
- High speed (2msec. standard cycle time)
- Contact programming with Ladder language
- Function for Recipe management , P.I.D. Regulator , Print etc ...

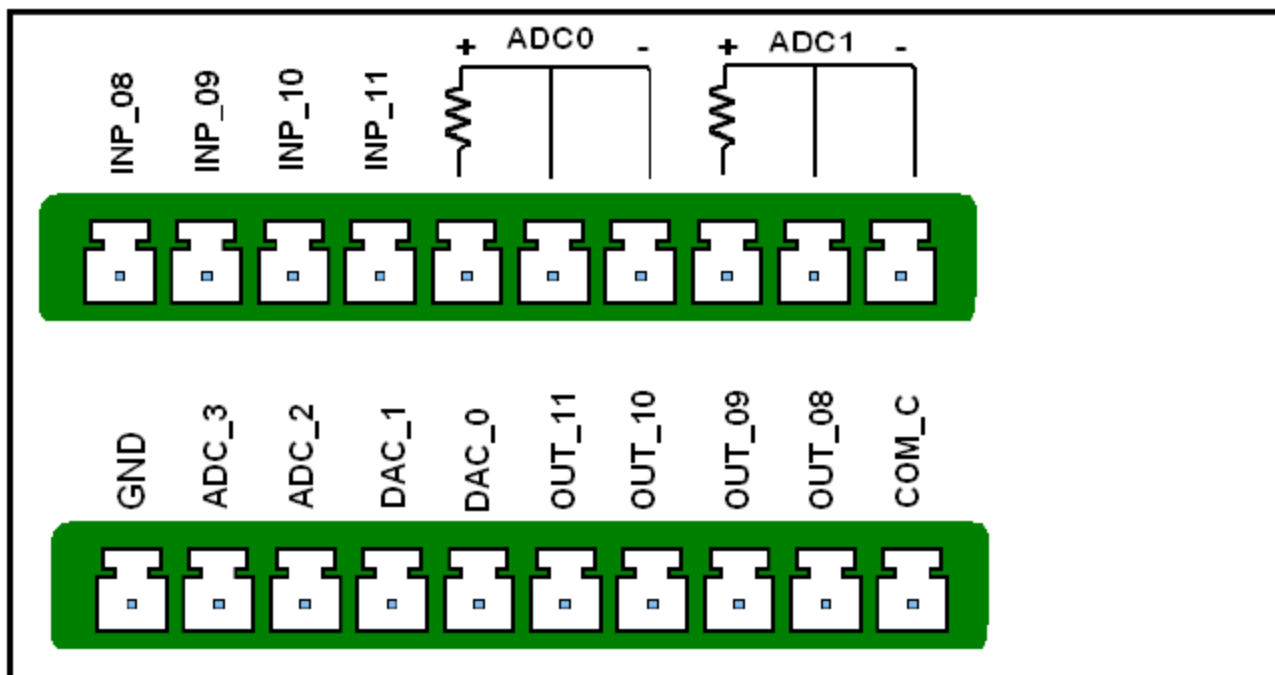
ELECTRIC CHARACTERISTICS	
Power supply voltage	Min 20Vcc ; Max 26 Vcc Min 15 Vac ; Max 21 Vac
Current Consumption	Under 200 mA without loads
Microprocessor	Hitachi H8S/2145B @ 20MHz
Program Memory	64 KB
Pages Memory	64 KB
E ² PROM	64 KB
Cycle Time	Programmable (minimum 1 msec.)
Digital Inputs	12 digital inputs PNP at 24 Volts of which 4 fast input (1KHz for encoder reading) with programmable anti-noise filter (value 1..16)





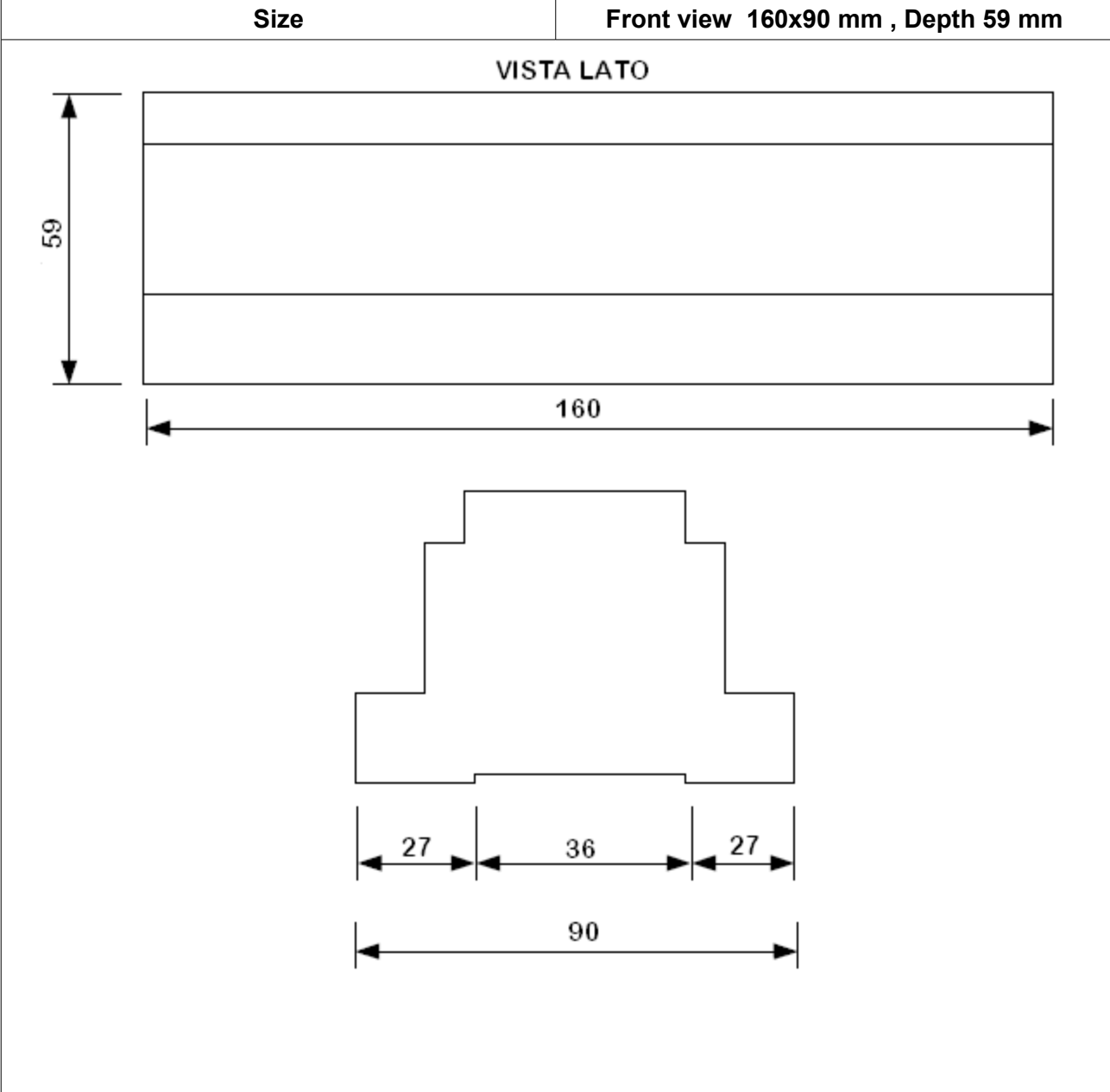
Analog Inputs	4 analogic inputs with 10 bit resolution [0...1023] , 2 for PT100 , termocouple , voltage or current and 2 only for current or voltage .
Digital Outputs	12 PNP static outputs 24V and 500mA or 12 PNP relay 24V
Analog Outputs	2 analog outputs 0...10V 8 bits resolution [0...255]
Plugged RAM	79 words any 100 msec automatically copy into plugged RAM (for a term of 1 year)
RTC	Extern real time clock with plugged calendar and clock with rechargeable battery . (for a term of 1 year)
Current analog input Impedance	250 Ω
Voltage analog input Impedance	10 K Ω
Serial Lines	<p>2 serial lines (COM 0 e COM 1)</p> <p>COM 0 : It could be used in RS232, RS422 RS485 with many different standard communication protocols for connect other devices (I/O expansions , termoregulators , inverters or network connection) .</p> <p>COM 1 : It could be used in RS232 or RS485 mode and it's use like COM0 , besides for upload applications or operative system .</p>





MECHANICS CHARACTERISTICS

Temperature Range	from -10 °C to +70 °C
Humidity Range	from 10 to 90% (non-condensing)
Operating Atmosphere	Without corrosive gas
Noise Immunity	According to rules in force
Fixing System	On din rail
Weight	450 gr
Keyboard	4 dedicated buttons
Display	Alphanumeric display 16 characters on 2 rows , backlight LED





SOFTWARE CHARACTERISTICS	
Programming Languages	AWL / Ladder
Timers	64 timers with 16 bits and resolution 1/100 sec . 32 configurable timers one by one like excitation delay or disexcitation delay and 32 only excitation timers . 8 timers free running with 1 msec resolution enabled one by one with system flag .
Counters	32 counters with 16 bits configurable one by one like incremental or decremental .
Data Memory	2048
Developed Functions	<ul style="list-style-type: none"> • Week Programming • Recipe Management • Forwarding/Reception SMS Messages • Encoders Management • P.I.D. Temperature's Regulator
Memory area check in real time mode on data table (Debug)	•
Ladder's subroutines Import/Export	•
Contact and variable check in real time mode on ladder (Debug Online)	•